

Design Firm
CAMERON DESIGN LOGIC
 Tel: (07) 5545 0601
 Fax: (07) 5545 2215
 camerondesignlogic@mac.com
 BSA 1125742

Engineer

THE BUILDER IS RESPONSIBLE FOR THE SETTING OUT OF WORKS, THE CHECKING OF ALL DIMENSIONS & LEVELS ON SITE, & THE REPORTING OF ANY DISCREPANCIES TO THE PROPRIETOR PRIOR TO THE COMMENCEMENT OF WORK. DO NOT SCALE FROM THESE DRAWINGS

ALTERATION OF THIS DESIGN IS TO BE MADE BY WRITTEN INSTRUCTION ONLY AND TO BE SIGNED BY A REGISTERED PROFESSIONAL ENGINEER OR AN AUTHORISED REPRESENTATIVE OF FOREAL CONSTRUCTIONS

FOR FULL MATERIAL SPEC., SEE SHEET 011

MAJOR SHEDS & TANKS INDUSTRIAL SHED FABRICATION

499 Warwick Road
 Yamanto Qld 4305
 TEL: 07 3294 1600
 FAX: 07 3294 1622

Contact: Tim Dilger

sales@majorshedsandtanks.com.au
 ABN: 79 140 683 398

Client

Radic Holdings Pty Ltd

Site

15 Argon Street Carole Park

ORIENTATION



Date: 9 September 2011
 Time: 1:51:20 AM
 File name: MS2605.mcd

Issue/Revision

Issue 4

Drawn By IC

CLIMATE ZONE 2
 WIND RATING: N3
 LOT 222 SP 233600
 PARISH WONGAROO

Total Sheets:

20

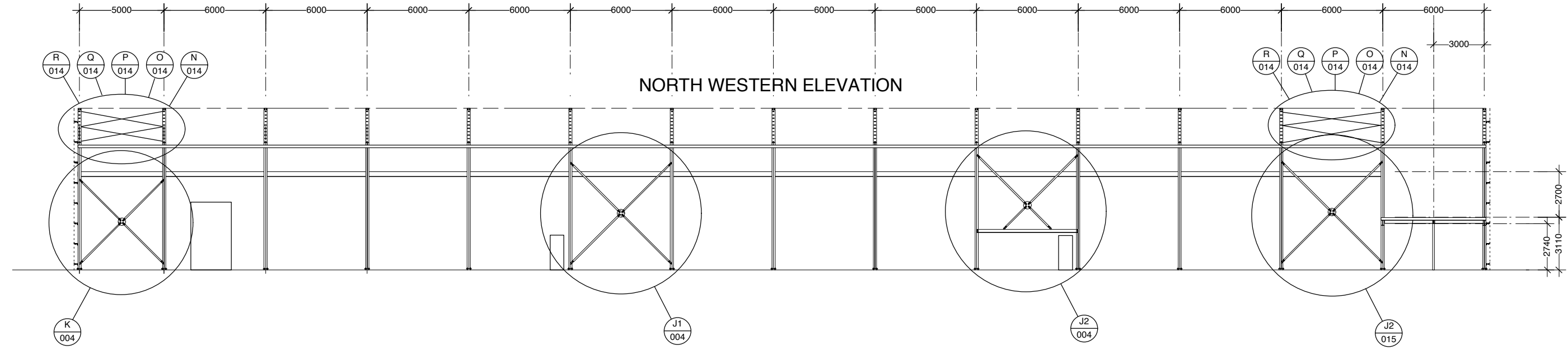
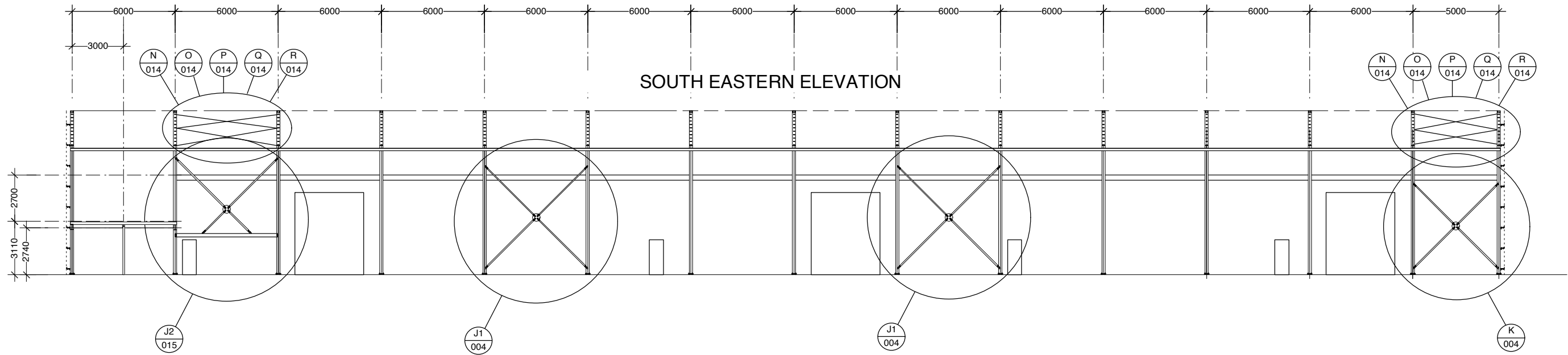
PLAN 001

Steel Frame WD1

Scale 1 : 250

Drawing No.

PAPER SIZE A3
MS-11.2605-1



Design Firm
CAMERON DESIGN LOGIC
 Tel: (07) 5545 0601
 Fax: (07) 5545 2215
 camerondesignlogic@mac.com
 BSA 1125742

THE BUILDER IS RESPONSIBLE FOR THE SETTING OUT OF WORKS, THE CHECKING OF ALL DIMENSIONS & LEVELS ON SITE, & THE REPORTING OF ANY DISCREPANCIES TO THE PROPRIETOR PRIOR TO THE COMMENCEMENT OF WORK. DO NOT SCALE FROM THESE DRAWINGS

ALTERATION OF THIS DESIGN IS TO BE MADE BY WRITTEN INSTRUCTION ONLY AND TO BE SIGNED BY A REGISTERED PROFESSIONAL ENGINEER OR AN AUTHORISED REPRESENTATIVE OF FOREAL CONSTRUCTIONS

FOR FULL MATERIAL SPEC., SEE SHEET 011

**MAJOR SHEDS & TANKS
 INDUSTRIAL SHED FABRICATION**

499 Warwick Road
 Yamanto Qld 4305
 TEL: 07 3294 1600
 FAX: 07 3294 1622

Contact: Tim Dilger
 sales@majorshedsandtanks.com.au
 ABN: 79 140 683 398

Client
Radic Holdings Pty Ltd

Site
15 Argon Street Carole Park

ORIENTATION
 Date: 9 September 2011
 Time: 1:51:20 AM
 File name: MS2605.mcd

Issue/Revision
Issue 4

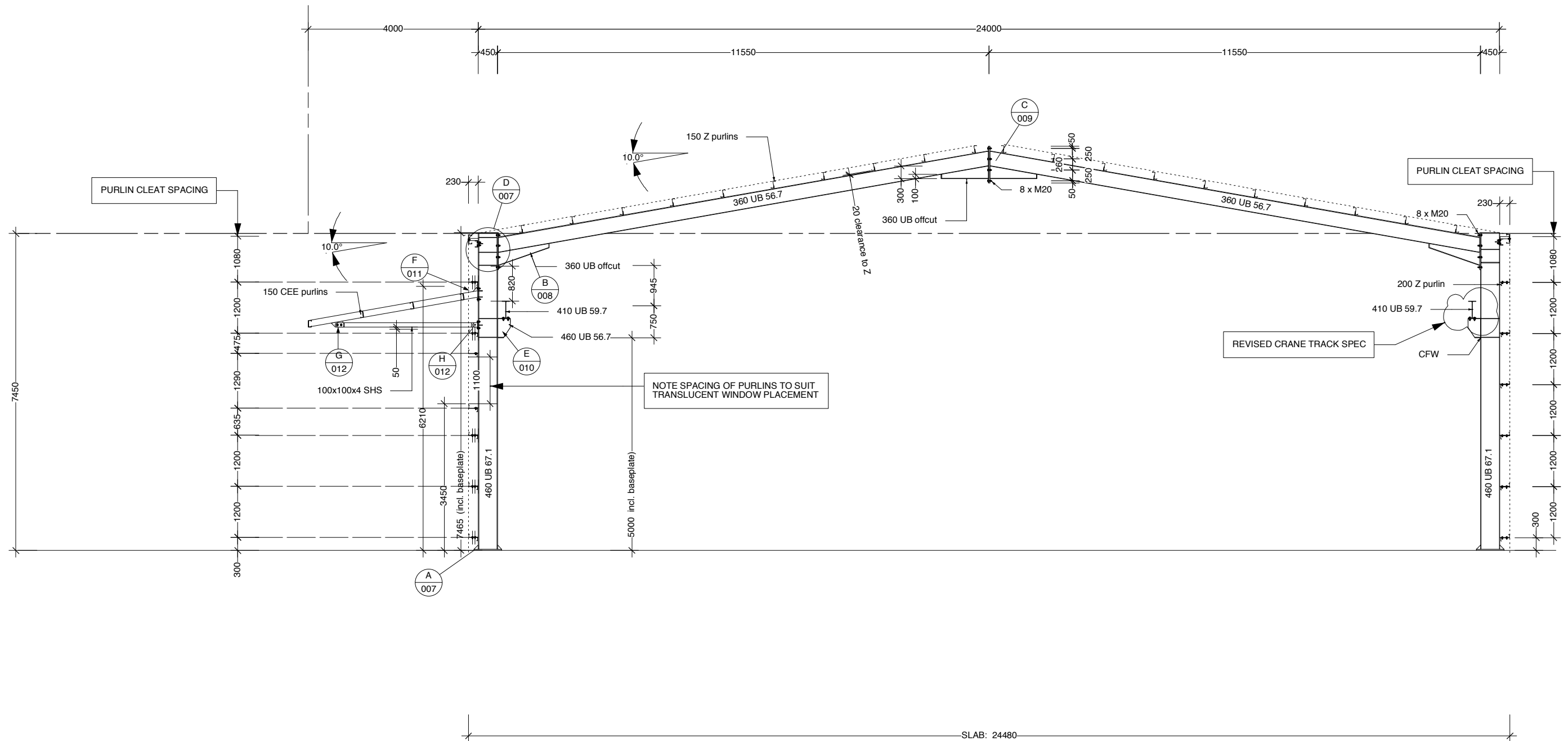
Drawn By
IC

CLIMATE ZONE 2
 WIND RATING: N3
 LOT 222 SP 233600
 PARISH WONGAROO

Total Sheets:
20

ELEVATION 002
Steel Frame
 Scale 1:250

Drawing No.
**PAPER SIZE A3
 MS-11.2605-1**



Design Firm
CAMERON DESIGN LOGIC
 Tel: (07) 5545 0601
 Fax: (07) 5545 2215
 camerondesignlogic@mac.com
 BSA 1125742

THE BUILDER IS RESPONSIBLE FOR THE SETTING OUT OF WORKS, THE CHECKING OF ALL DIMENSIONS & LEVELS ON SITE, & THE REPORTING OF ANY DISCREPANCIES TO THE PROPRIETOR PRIOR TO THE COMMENCEMENT OF WORK. DO NOT SCALE FROM THESE DRAWINGS

ALTERATION OF THIS DESIGN IS TO BE MADE BY WRITTEN INSTRUCTION ONLY AND TO BE SIGNED BY A REGISTERED PROFESSIONAL ENGINEER OR AN AUTHORISED REPRESENTATIVE OF FOREAL CONSTRUCTIONS

FOR FULL MATERIAL SPEC., SEE SHEET 011

MAJOR SHEDS & TANKS INDUSTRIAL SHED FABRICATION

499 Warwick Road
 Yamanto Qld 4305
 TEL: 07 3294 1600
 FAX: 07 3294 1622

Contact: Tim Dilger
 sales@majorshedsandtanks.com.au
 ABN: 79 140 683 398

Client
Radic Holdings Pty Ltd

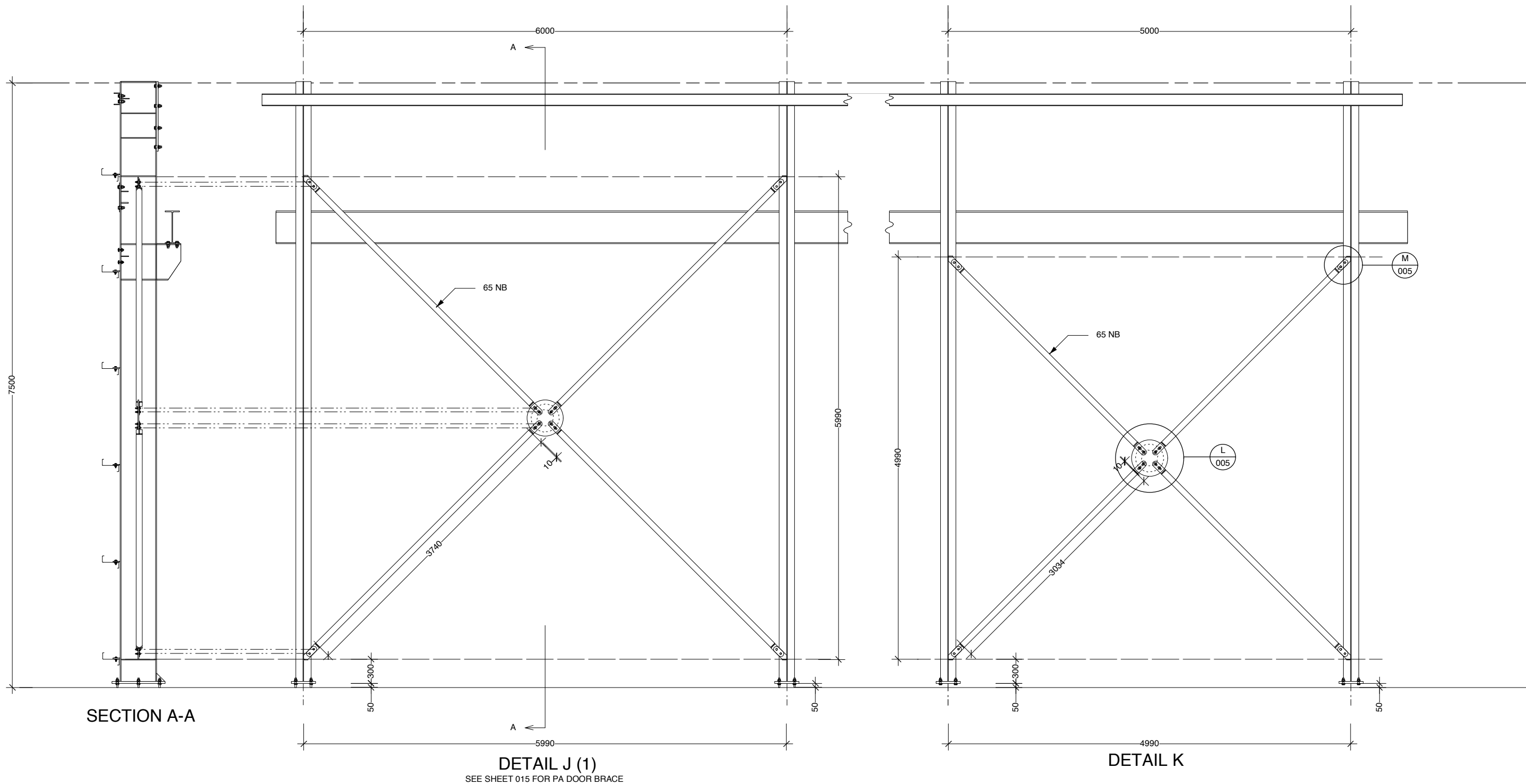
Site
15 Argon Street Carole Park

ORIENTATION
 Date: 9 September 2011
 Time: 1:51:20 AM
 File name: MS2605.mcd

Issue/Revision
Issue 4
 Drawn By **IC**
 Total Sheets:
20

CLIMATE ZONE 2
 WIND RATING: N3
 LOT 222 SP 233600
 PARISH WONGAROO

DETAIL 003
Portal frame WD1
 Scale 1:100
 Drawing No. **PAPER SIZE A3**
MS-11.2605-1



DETAIL J (1)
SEE SHEET 015 FOR PA DOOR BRACE

DETAIL K

Design Firm
CAMERON DESIGN LOGIC
Tel: (07) 5545 0601
Fax: (07) 5545 2215
camerondesignlogic@mac.com
BSA 1125742

THE BUILDER IS RESPONSIBLE FOR THE SETTING OUT OF WORKS, THE CHECKING OF ALL DIMENSIONS & LEVELS ON SITE, & THE REPORTING OF ANY DISCREPANCIES TO THE PROPRIETOR PRIOR TO THE COMMENCEMENT OF WORK. DO NOT SCALE FROM THESE DRAWINGS

ALTERATION OF THIS DESIGN IS TO BE MADE BY WRITTEN INSTRUCTION ONLY AND TO BE SIGNED BY A REGISTERED PROFESSIONAL ENGINEER OR AN AUTHORISED REPRESENTATIVE OF FOREAL CONSTRUCTIONS

FOR FULL MATERIAL SPEC., SEE SHEET 011

**MAJOR SHEDS & TANKS
INDUSTRIAL SHED FABRICATION**

499 Warwick Road
Yamanto Qld 4305
TEL: 07 3294 1600
FAX: 07 3294 1622

Contact: Tim Dilger
sales@majorshedsandtanks.com.au
ABN: 79 140 683 398

Client
Radic Holdings Pty Ltd

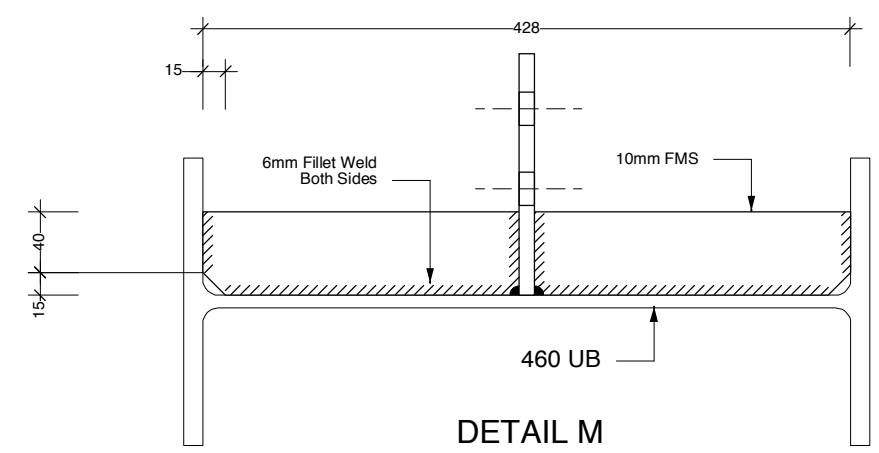
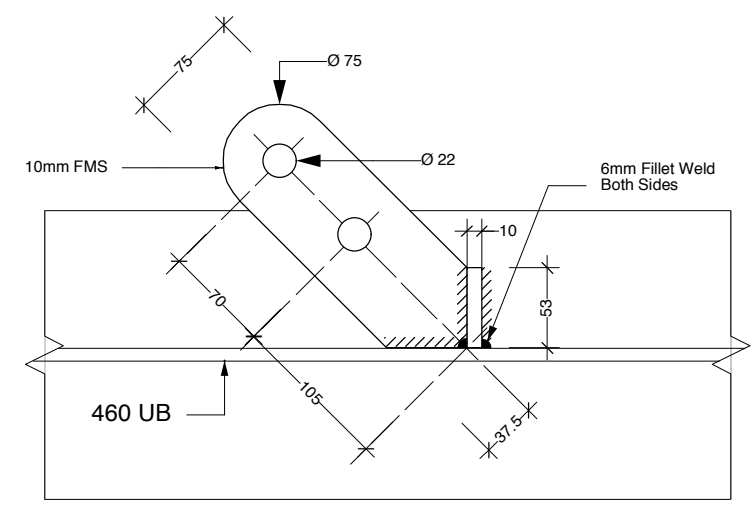
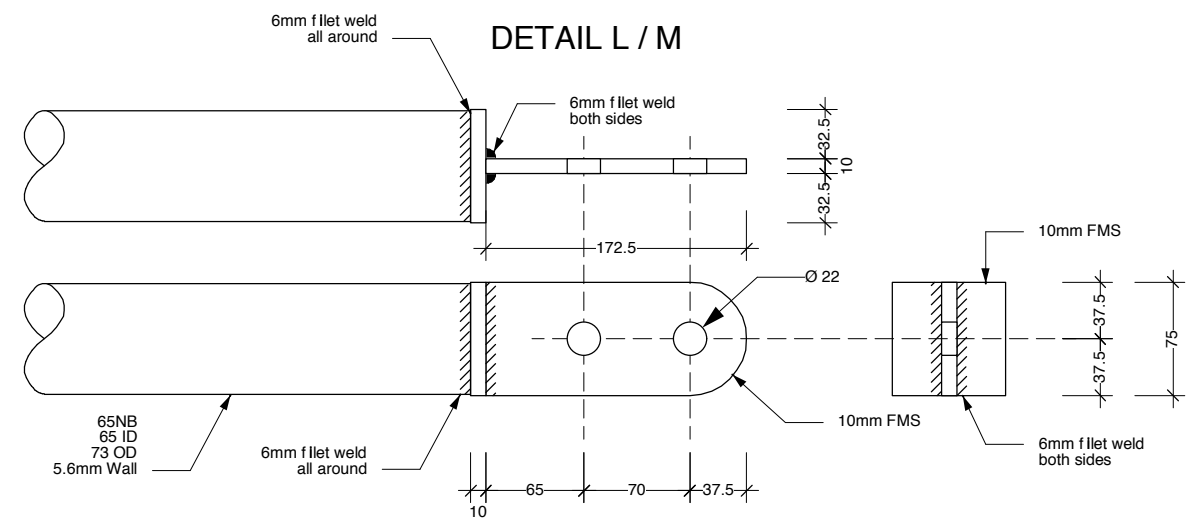
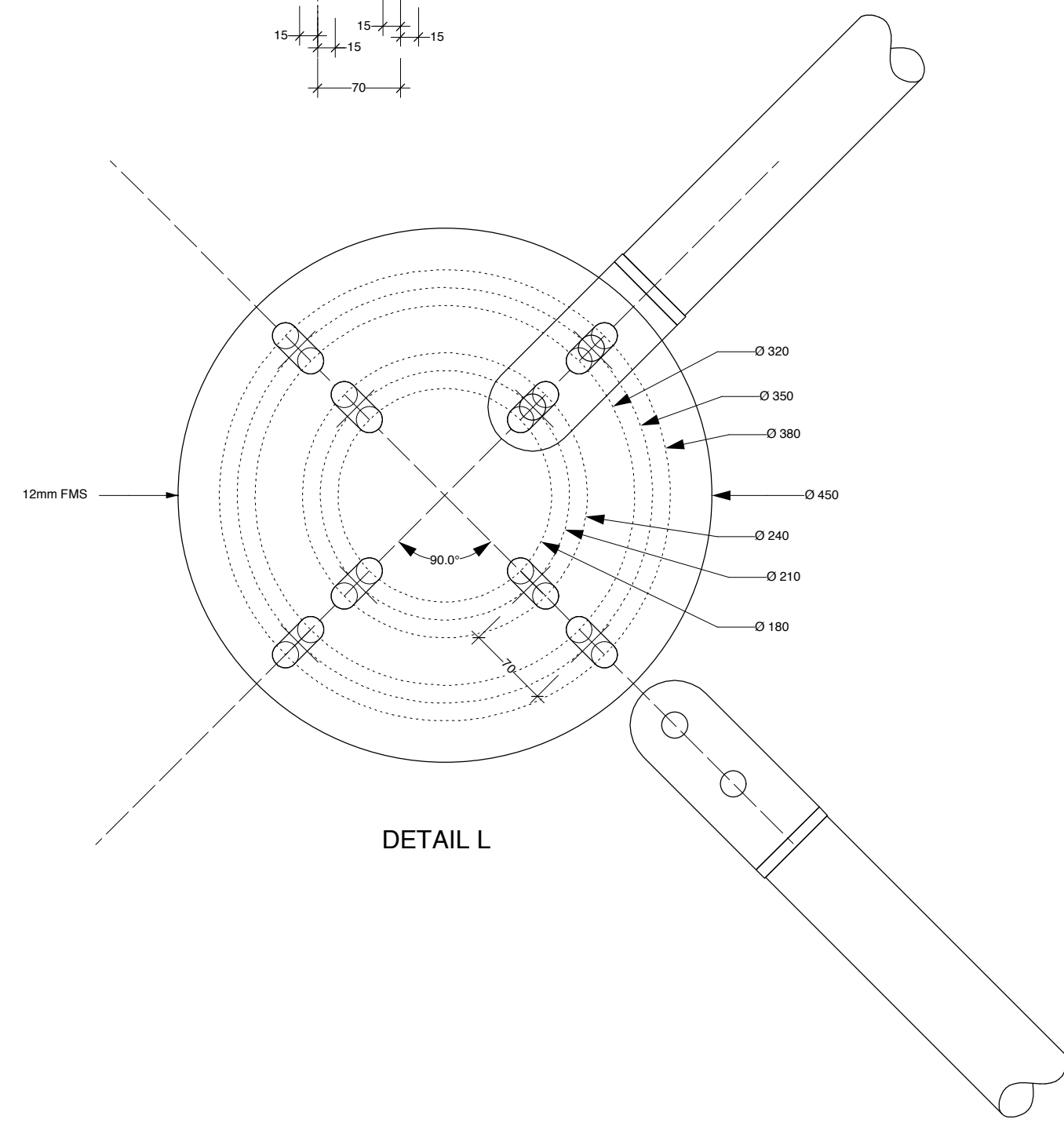
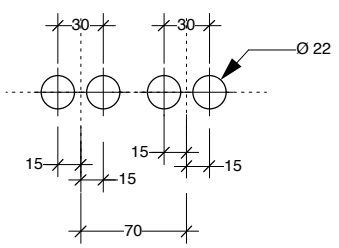
Site
15 Argon Street Carole Park

ORIENTATION
Date: 9 September 2011
Time: 1:51:20 AM
File name: MS2605.mcd

Issue/Revision
Issue 4
Drawn By **IC**
Total Sheets:
20

CLIMATE ZONE 2
WIND RATING: N3
LOT 222 SP 233600
PARISH WONGAROO

DETAIL **004**
Bracing Bays **WD1**
Scale 1 : 50
Drawing No. **PAPER SIZE A3
MS-11.2605-1**



Design Firm
CAMERON DESIGN LOGIC
 Tel: (07) 5545 0601
 Fax: (07) 5545 2215
 camerondesignlogic@mac.com
 BSA 1125742
 Engineer

THE BUILDER IS RESPONSIBLE FOR THE SETTING OUT OF WORKS, THE CHECKING OF ALL DIMENSIONS & LEVELS ON SITE, & THE REPORTING OF ANY DISCREPANCIES TO THE PROPRIETOR PRIOR TO THE COMMENCEMENT OF WORK. DO NOT SCALE FROM THESE DRAWINGS
 ALTERATION OF THIS DESIGN IS TO BE MADE BY WRITTEN INSTRUCTION ONLY AND TO BE SIGNED BY A REGISTERED PROFESSIONAL ENGINEER OR AN AUTHORISED REPRESENTATIVE OF FOREAL CONSTRUCTIONS

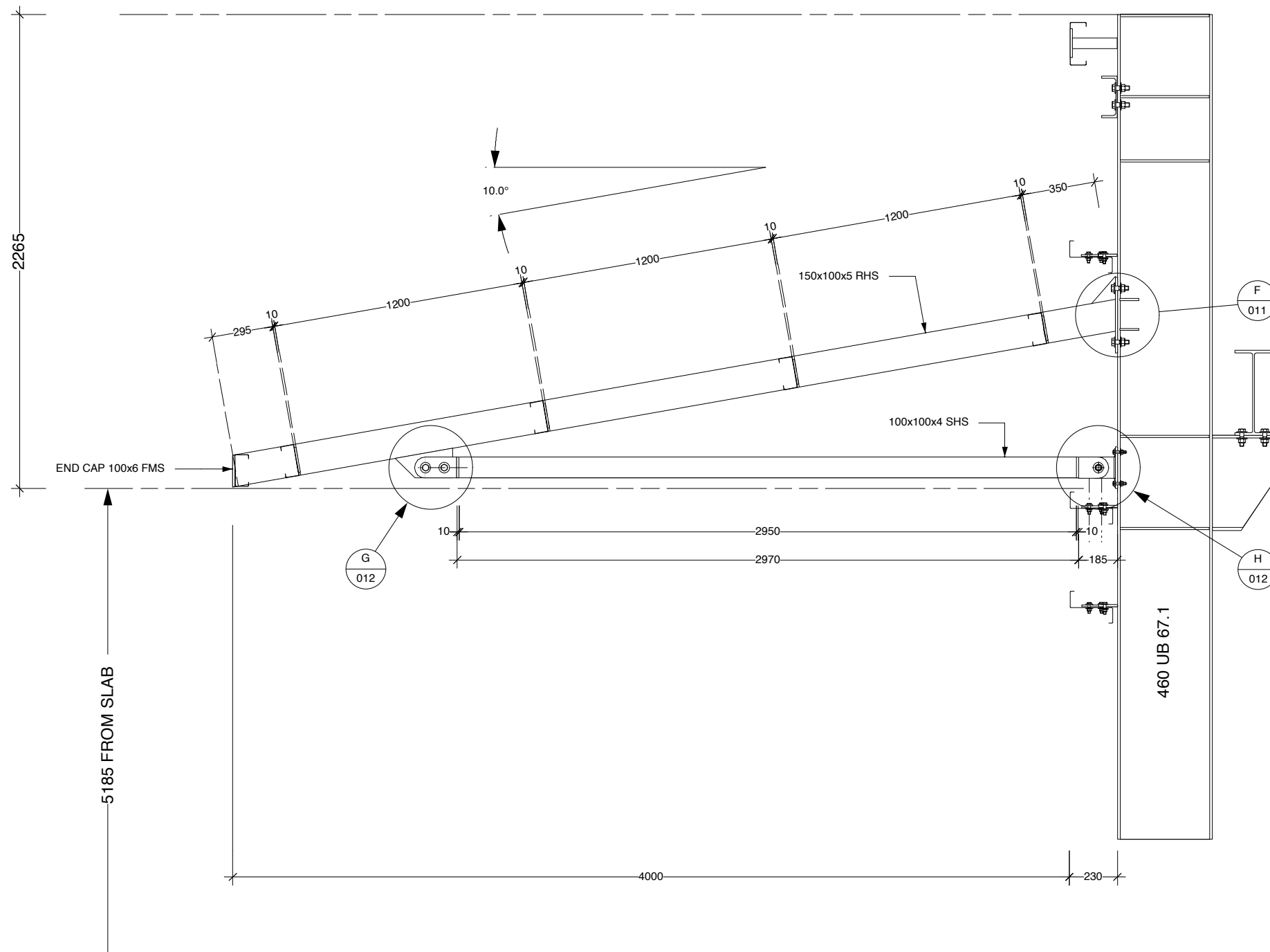
FOR FULL MATERIAL SPEC., SEE SHEET 011

MAJOR SHEDS & TANKS INDUSTRIAL SHED FABRICATION
 499 Warwick Road
 Yamanto Qld 4305
 TEL: 07 3294 1600
 FAX: 07 3294 1622
 Contact: Tim Dilger
 sales@majorshedsandtanks.com.au
 ABN: 79 140 683 398

Client
Radic Holdings Pty Ltd
 Site
15 Argon Street Carole Park

ORIENTATION
 Date: 9 September 2011
 Time: 1:51:20 AM
 File name: MS2605.mcd
 Issue/Revision
Issue 4
 Drawn By **IC**
 Total Sheets:
20
 CLIMATE ZONE 2
 WIND RATING: N3
 LOT 222 SP 233600
 PARISH WONGAROO

DETAIL 005
Side Wall Bracing
 Scale 1:5
 Drawing No. **PAPER SIZE A3**
MS-11.2605-1



Design Firm
CAMERON DESIGN LOGIC
 Tel: (07) 5545 0601
 Fax: (07) 5545 2215
 camerondesignlogic@mac.com
 BSA 1125742

Engineer

THE BUILDER IS RESPONSIBLE FOR THE SETTING OUT OF WORKS, THE CHECKING OF ALL DIMENSIONS & LEVELS ON SITE, & THE REPORTING OF ANY DISCREPANCIES TO THE PROPRIETOR PRIOR TO THE COMMENCEMENT OF WORK. DO NOT SCALE FROM THESE DRAWINGS

ALTERATION OF THIS DESIGN IS TO BE MADE BY WRITTEN INSTRUCTION ONLY AND TO BE SIGNED BY A REGISTERED PROFESSIONAL ENGINEER OR AN AUTHORISED REPRESENTATIVE OF FOREAL CONSTRUCTIONS

FOR FULL MATERIAL SPEC., SEE SHEET 011

**MAJOR SHEDS & TANKS
 INDUSTRIAL SHED FABRICATION**

499 Warwick Road
 Yamanto Qld 4305
 TEL: 07 3294 1600
 FAX: 07 3294 1622

Contact: Tim Dilger

sales@majorshedsandtanks.com.au
 ABN: 79 140 683 398

Client

Radic Holdings Pty Ltd

Site

15 Argon Street Carole Park

ORIENTATION

Date: 9 September 2011
 Time: 1:51:20 AM
 File name: MS2605.mcd

Issue/Revision

Issue 4

Drawn By **IC**

CLIMATE ZONE 2
 WIND RATING: N3
 LOT 222 SP 233600
 PARISH WONGAROO

Total Sheets:

20

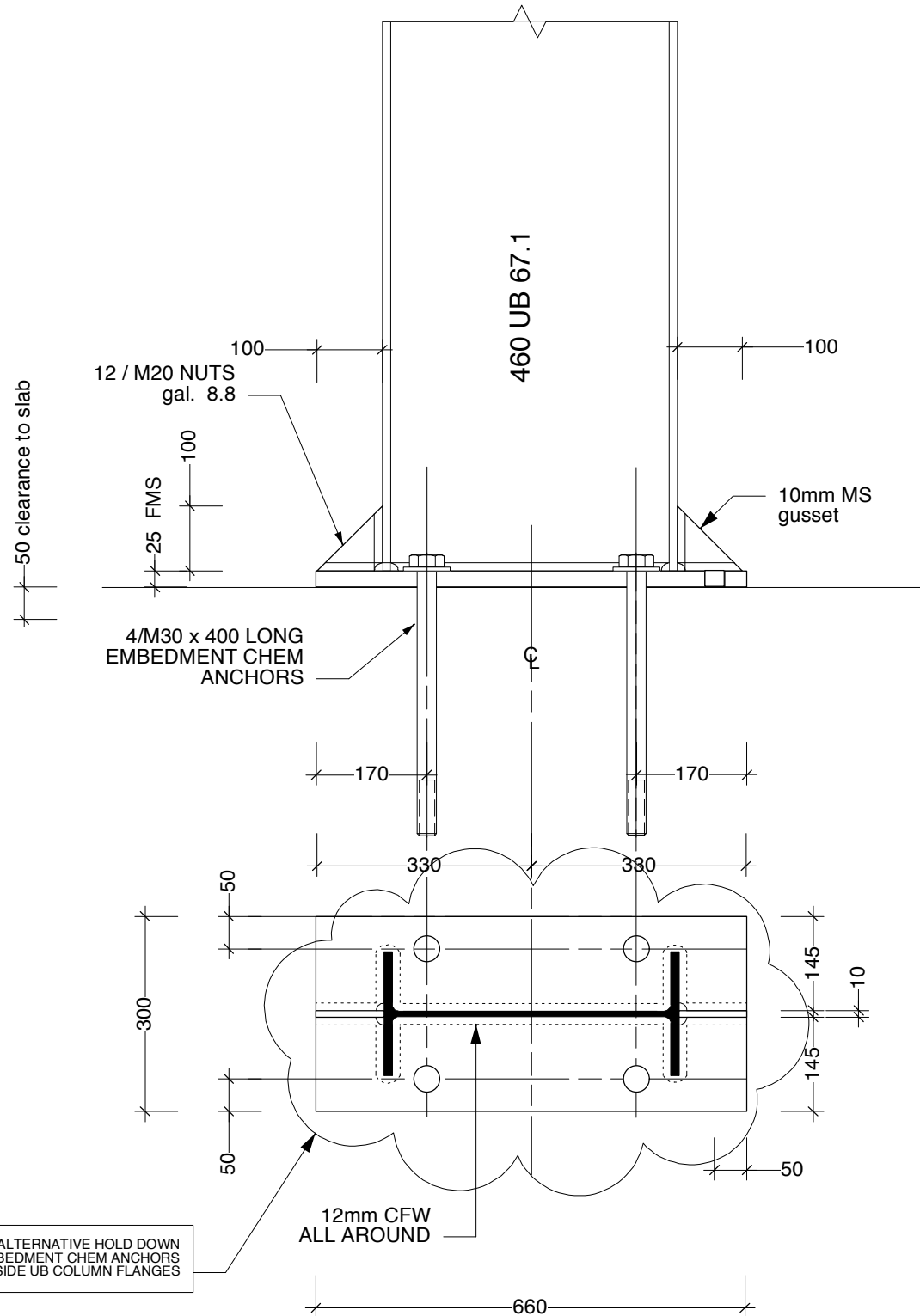
DETAIL 006

Cantilever Roof

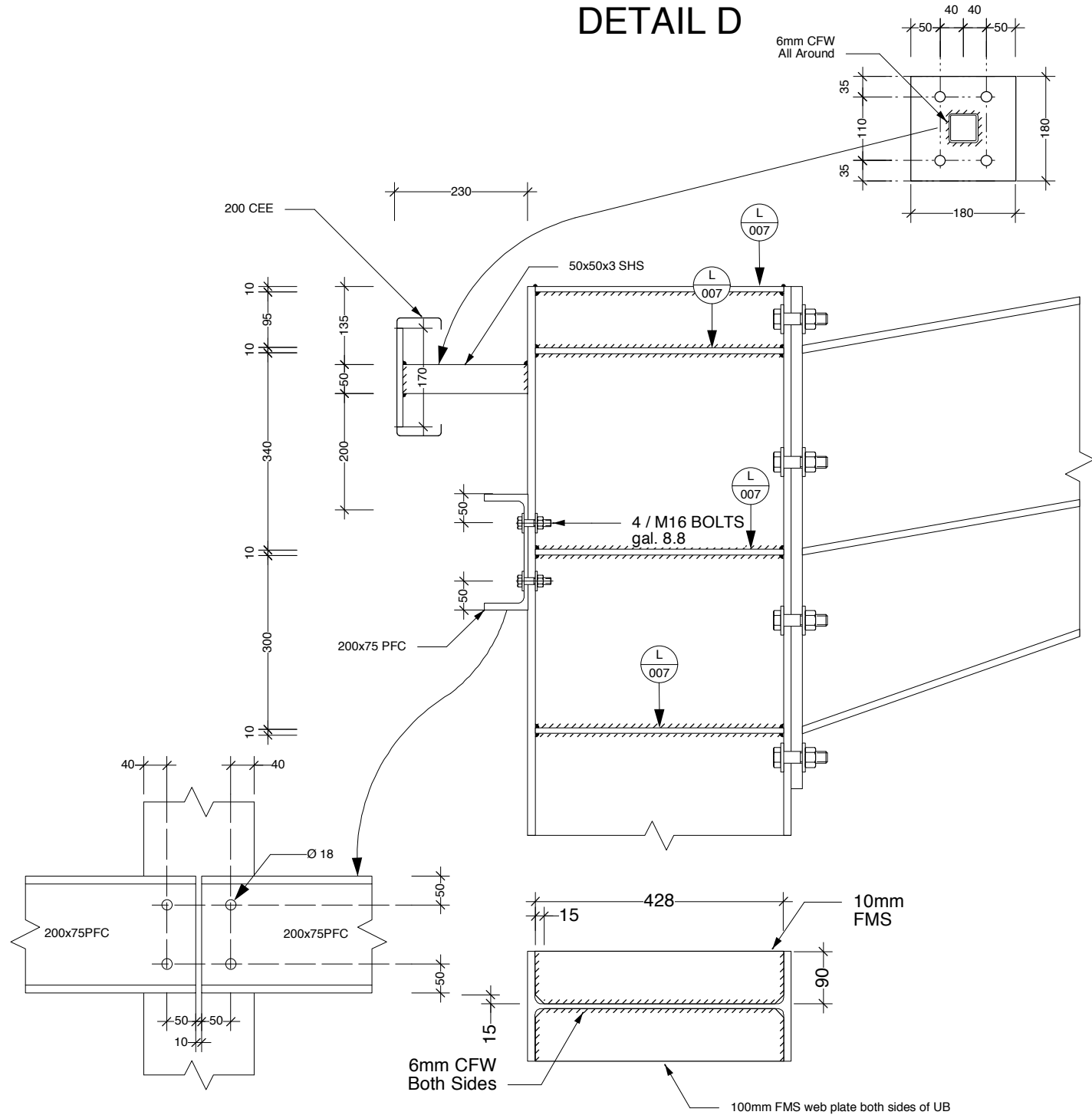
Scale 1 : 25

Drawing No. **MS-11.2605-1**
 PAPER SIZE A3

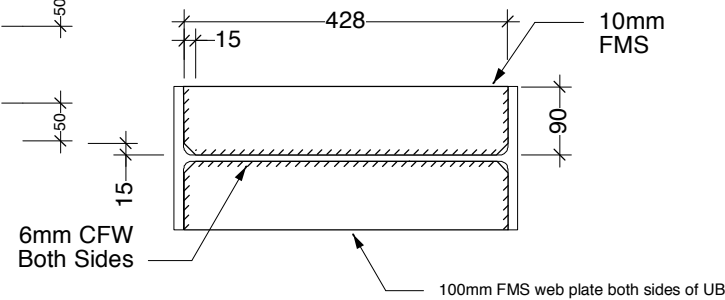
DETAIL A



DETAIL D



DETAIL L



Design Firm
CAMERON DESIGN LOGIC
 Tel: (07) 5545 0601
 Fax: (07) 5545 2215
 camerondesignlogic@mac.com
 BSA 1125742
 Engineer

THE BUILDER IS RESPONSIBLE FOR THE SETTING OUT OF WORKS, THE CHECKING OF ALL DIMENSIONS & LEVELS ON SITE, & THE REPORTING OF ANY DISCREPANCIES TO THE PROPRIETOR PRIOR TO THE COMMENCEMENT OF WORK. DO NOT SCALE FROM THESE DRAWINGS
 ALTERATION OF THIS DESIGN IS TO BE MADE BY WRITTEN INSTRUCTION ONLY AND TO BE SIGNED BY A REGISTERED PROFESSIONAL ENGINEER OR AN AUTHORISED REPRESENTATIVE OF FOREAL CONSTRUCTIONS

FOR FULL MATERIAL SPEC., SEE SHEET 011

MAJOR SHEDS & TANKS INDUSTRIAL SHED FABRICATION

499 Warwick Road
 Yamanto Qld 4305
 TEL: 07 3294 1600
 FAX: 07 3294 1622

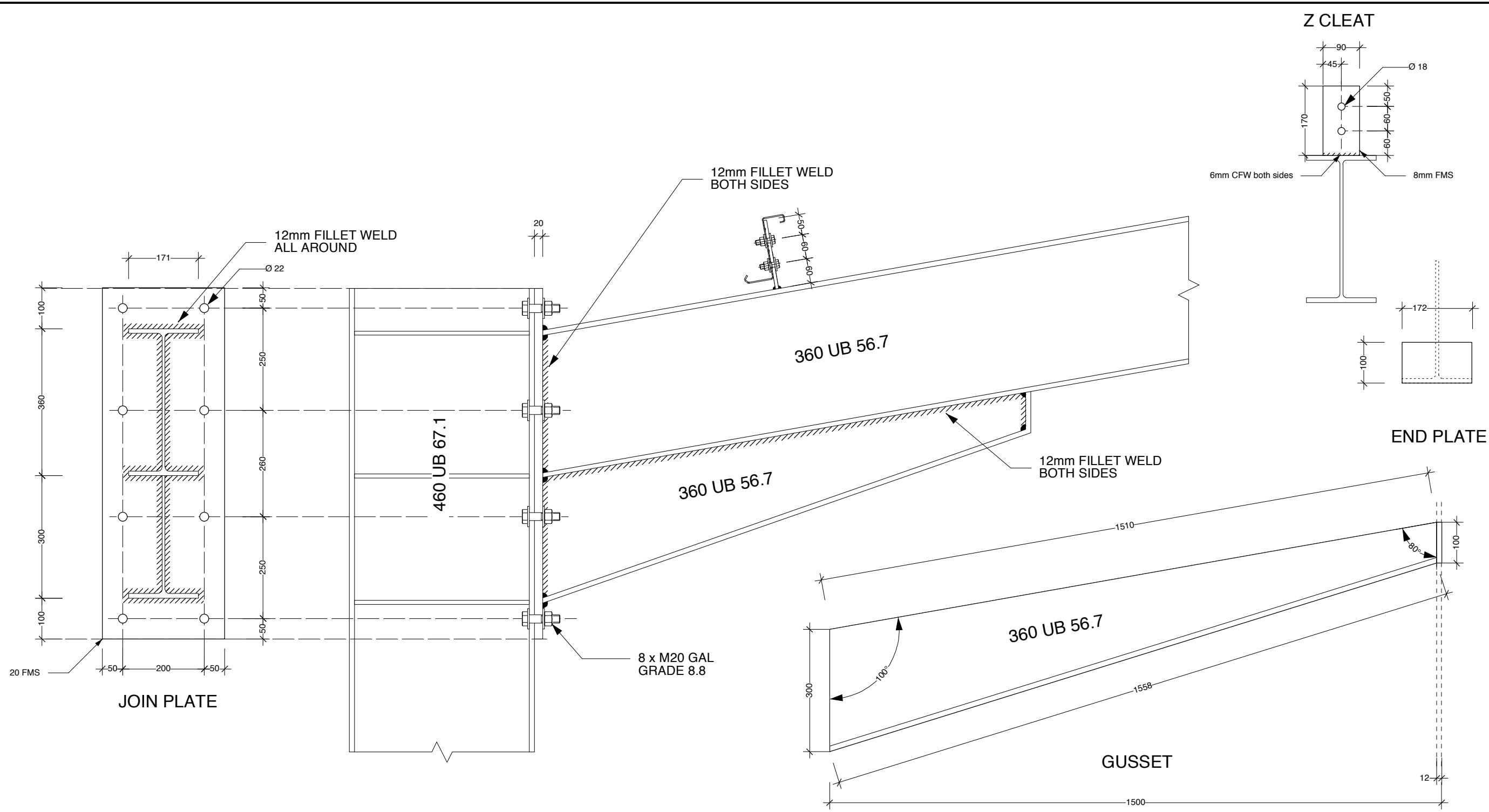
Contact: Tim Dilger
 sales@majorshedsandtanks.com.au
 ABN: 79 140 683 398

Client
Radic Holdings Pty Ltd

Site
15 Argon Street Carole Park

ORIENTATION
 Date: 9 September 2011
 Time: 1:51:20 AM
 File name: MS2605.mcd
 Issue/Revision
Issue 4
 Drawn By **IC**
 CLIMATE ZONE 2
 WIND RATING: N3
 LOT 222 SP 233600
 PARISH WONGAROO
 Total Sheets:
20

DETAIL 007
Detail A & D
 Scale 1 : 10
 Drawing No. **PAPER SIZE A3**
MS-11.2605-1



Design Firm
CAMERON DESIGN LOGIC
 Tel: (07) 5545 0601
 Fax: (07) 5545 2215
 camerondesignlogic@mac.com
 BSA 1125742
 Engineer

THE BUILDER IS RESPONSIBLE FOR THE SETTING OUT OF WORKS, THE CHECKING OF ALL DIMENSIONS & LEVELS ON SITE, & THE REPORTING OF ANY DISCREPANCIES TO THE PROPRIETOR PRIOR TO THE COMMENCEMENT OF WORK. DO NOT SCALE FROM THESE DRAWINGS
 ALTERATION OF THIS DESIGN IS TO BE MADE BY WRITTEN INSTRUCTION ONLY AND TO BE SIGNED BY A REGISTERED PROFESSIONAL ENGINEER OR AN AUTHORISED REPRESENTATIVE OF FOREAL CONSTRUCTIONS

FOR FULL MATERIAL SPEC., SEE SHEET 011

**MAJOR SHEDS & TANKS
 INDUSTRIAL SHED FABRICATION**

499 Warwick Road
 Yamanto Qld 4305
 TEL: 07 3294 1600
 FAX: 07 3294 1622
 Contact: Tim Dilger
 sales@majorshedsandtanks.com.au
 ABN: 79 140 683 398

Client
Radic Holdings Pty Ltd

Site
15 Argon Street Carole Park

ORIENTATION
 Date: 9 September 2011
 Time: 1:51:20 AM
 File name: MS2605.mcd

Issue/Revision
Issue 4
 Drawn By **IC**

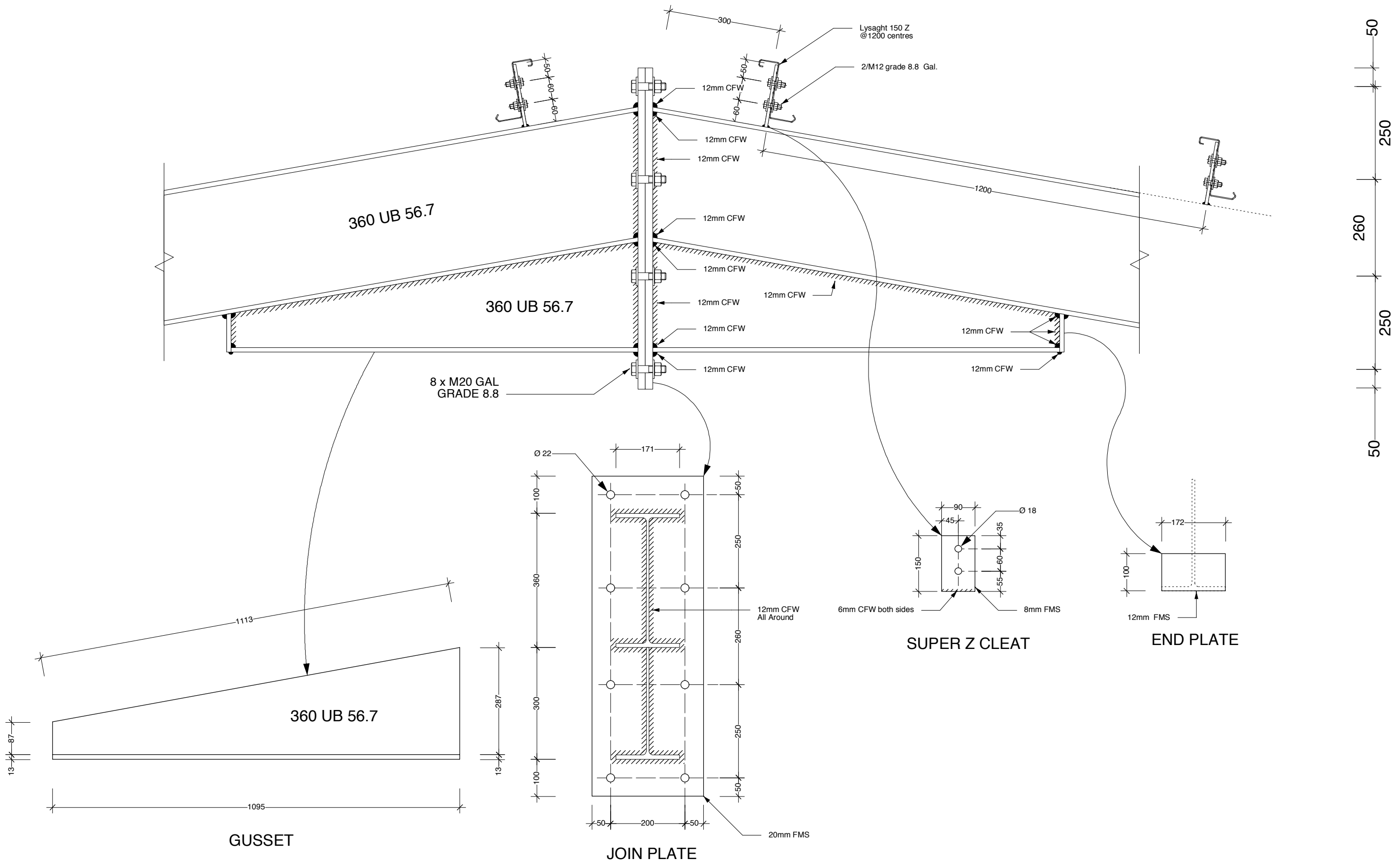
CLIMATE ZONE 2
 WIND RATING: N3
 LOT 222 SP 233600
 PARISH WONGAROO

Total Sheets:
20

DETAIL 008

Detail B
 Scale 1 : 10
 Drawing No. **WD1**

**PAPER SIZE A3
 MS-11.2605-1**



50
 250
 260
 250
 50

Design Firm
CAMERON DESIGN LOGIC
 Tel: (07) 5545 0601
 Fax: (07) 5545 2215
 camerondesignlogic@mac.com
 BSA 1125742
 Engineer

THE BUILDER IS RESPONSIBLE FOR THE
 SETTING OUT OF WORKS, THE CHECKING
 OF ALL DIMENSIONS & LEVELS ON SITE, &
 THE REPORTING OF ANY DISCREPANCIES
 TO THE PROPRIETOR PRIOR TO THE
 COMMENCEMENT OF WORK. DO NOT SCALE
 FROM THESE DRAWINGS
 ALTERATION OF THIS DESIGN IS TO BE
 MADE BY WRITTEN INSTRUCTION ONLY
 AND TO BE SIGNED BY A REGISTERED
 PROFESSIONAL ENGINEER OR AN
 AUTHORISED REPRESENTATIVE OF
 FOREAL CONSTRUCTIONS

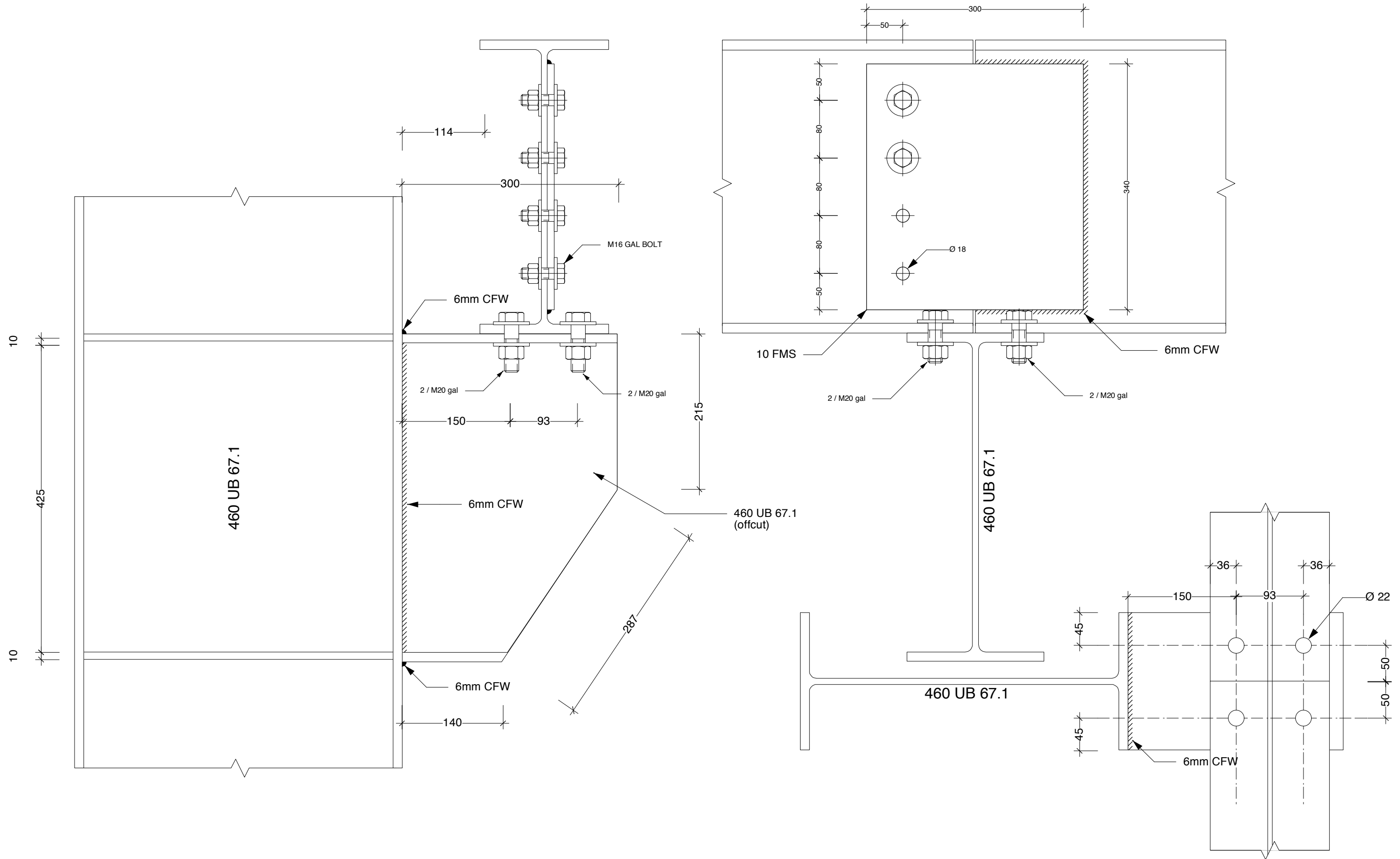
FOR FULL MATERIAL SPEC., SEE SHEET 011

MAJOR SHEDS & TANKS
INDUSTRIAL SHED FABRICATION
 499 Warwick Road
 Yamanto Qld 4305
 TEL: 07 3294 1600
 FAX: 07 3294 1622
 Contact: Tim Dilger
 sales@majorshedsandtanks.com.au
 ABN: 79 140 683 398

Client
Radic Holdings Pty Ltd
 Site
15 Argon Street Carole Park

ORIENTATION
 Date: 9 September 2011
 Time: 1:51:20 AM
 File name: MS2605.mcd
 Issue/Revision
Issue 4
 Drawn By **IC**
 Total Sheets:
20
 CLIMATE ZONE 2
 WIND RATING: N3
 LOT 222 SP 233600
 PARISH WONGAROO

DETAIL 009
Detail C
 Scale 1 : 10
 Drawing No. **MS-11.2605-1**
PAPER SIZE A3



Design Firm
CAMERON DESIGN LOGIC
 Tel: (07) 5545 0601
 Fax: (07) 5545 2215
 camerondesignlogic@mac.com
 BSA 1125742

THE BUILDER IS RESPONSIBLE FOR THE SETTING OUT OF WORKS, THE CHECKING OF ALL DIMENSIONS & LEVELS ON SITE, & THE REPORTING OF ANY DISCREPANCIES TO THE PROPRIETOR PRIOR TO THE COMMENCEMENT OF WORK. DO NOT SCALE FROM THESE DRAWINGS

ALTERATION OF THIS DESIGN IS TO BE MADE BY WRITTEN INSTRUCTION ONLY AND TO BE SIGNED BY A REGISTERED PROFESSIONAL ENGINEER OR AN AUTHORISED REPRESENTATIVE OF FOREAL CONSTRUCTIONS

FOR FULL MATERIAL SPEC., SEE SHEET 011

**MAJOR SHEDS & TANKS
 INDUSTRIAL SHED FABRICATION**

499 Warwick Road
 Yamanto Qld 4305
 TEL: 07 3294 1600
 FAX: 07 3294 1622

Contact: Tim Dilger
 sales@majorshedsandtanks.com.au
 ABN: 79 140 683 398

Client
Radic Holdings Pty Ltd

Site
15 Argon Street Carole Park

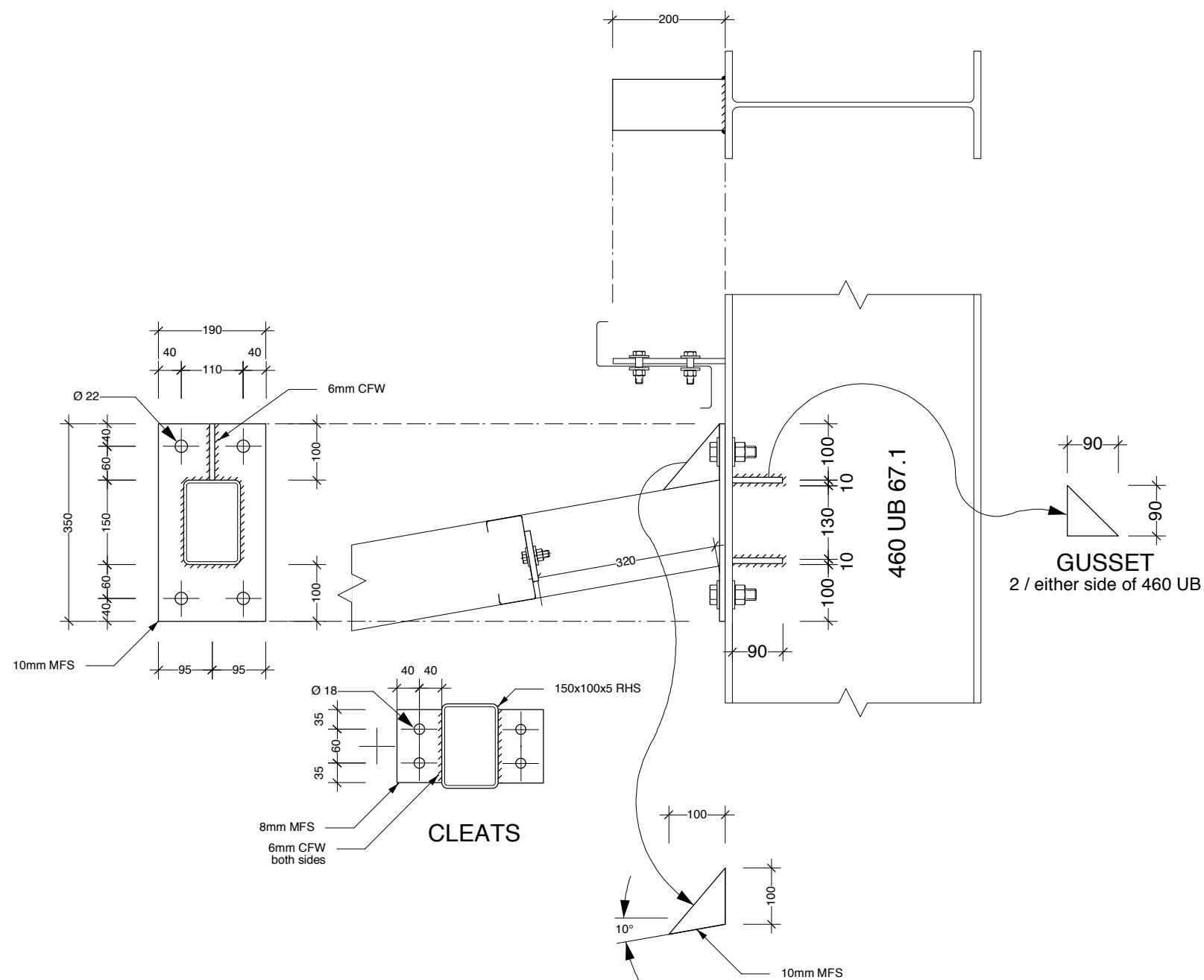
ORIENTATION
 Date: 9 September 2011
 Time: 1:51:20 AM
 File name: MS2605.mcd
 Issue/Revision
Issue 4
 Drawn By
IC
 CLIMATE ZONE 2
 WIND RATING: N3
 LOT 222 SP 233600
 PARISH WONGAROO
 Total Sheets:
20

DETAIL 010
Detail E
 Scale 1 : 5
WD1

Drawing No.
PAPER SIZE A3
MS-11.2605-1

MATERIAL SPECIFICATION:

PORTAL FRAMES	COLUMNS	460UB67
	TRUSSES	360UB56
	STIFFENERS	90X10 FMS
	FACIA SUPPORT	50X50X30SHS
	TOP WALL BEAMS	200X75 PFC
	END WALL COLUMNS	150X10X5 RHS
SIDE AWNING	TRUSSES	15X100X5
	TRUSS BRACING	100X100X4
	JOINING PLATES	180X10 FMS
	PURLIN CLEATS	150X8 FMS
	END CAPS	100X6 FMS
OVERHAED CRANE	SUPPORTS	460UB67
	GUIDE RUNNERS	310UB56
	JOINING PLATES	200X10 FMS
INTERNAL FLOOR	MAIN BEAMS	310UB40
	END/CENTRE BEAMS	200UB25
	SPACING BEAMS	200PFC
	CLEATS	150X8 FMS
	JOINING PLATES	150X10 FMS
CLEATS	BASE PLATES	300X25
	JOINING PLATES	180X20
	ROOF CLEATS	90X8 FMS
	WALL CLEATS	90X8 FMS
BRACING	ROOF	65NB
	WALL	65NB
	FLOOR	20 DIA
	TAGS	75X8 FMS
	FLY BRACES	50X50X5 ANGLE
	BRIDGING ROOF	200 TYPE
	BRIDGING WALLS	200 TYPE
PURLINS	ROOF	Z200-15
	SIDE WALLS	Z200-15
	END WALLS	Z200-15
	FLOOR INTERNAL	C150-19
	FLOOR SIDE WALL	C150-19
	AWNING	C150-19



DETAIL F

Design Firm
CAMERON DESIGN LOGIC
 Tel: (07) 5545 0601
 Fax: (07) 5545 2215
 camerondesignlogic@mac.com
 BSA 1125742

THE BUILDER IS RESPONSIBLE FOR THE SETTING OUT OF WORKS, THE CHECKING OF ALL DIMENSIONS & LEVELS ON SITE, & THE REPORTING OF ANY DISCREPANCIES TO THE PROPRIETOR PRIOR TO THE COMMENCEMENT OF WORK. DO NOT SCALE FROM THESE DRAWINGS.

ALTERATION OF THIS DESIGN IS TO BE MADE BY WRITTEN INSTRUCTION ONLY AND TO BE SIGNED BY A REGISTERED PROFESSIONAL ENGINEER OR AN AUTHORISED REPRESENTATIVE OF FOREAL CONSTRUCTIONS

FOR FULL MATERIAL SPEC., SEE SHEET 011

MAJOR SHEDS & TANKS INDUSTRIAL SHED FABRICATION

499 Warwick Road
 Yamanto Qld 4305
 TEL: 07 3294 1600
 FAX: 07 3294 1622

Contact: Tim Dilger

sales@majorshedsandtanks.com.au
 ABN: 79 140 683 398

Client

Radic Holdings Pty Ltd

Site

15 Argon Street Carole Park

ORIENTATION

Date: 9 September 2011
 Time: 1:51:20 AM
 File name: MS2605.mcd

Issue/Revision

Issue 4

Drawn By IC

CLIMATE ZONE 2
 WIND RATING: N3
 LOT 222 SP 233600
 PARISH WONGAROO

Total Sheets:

20

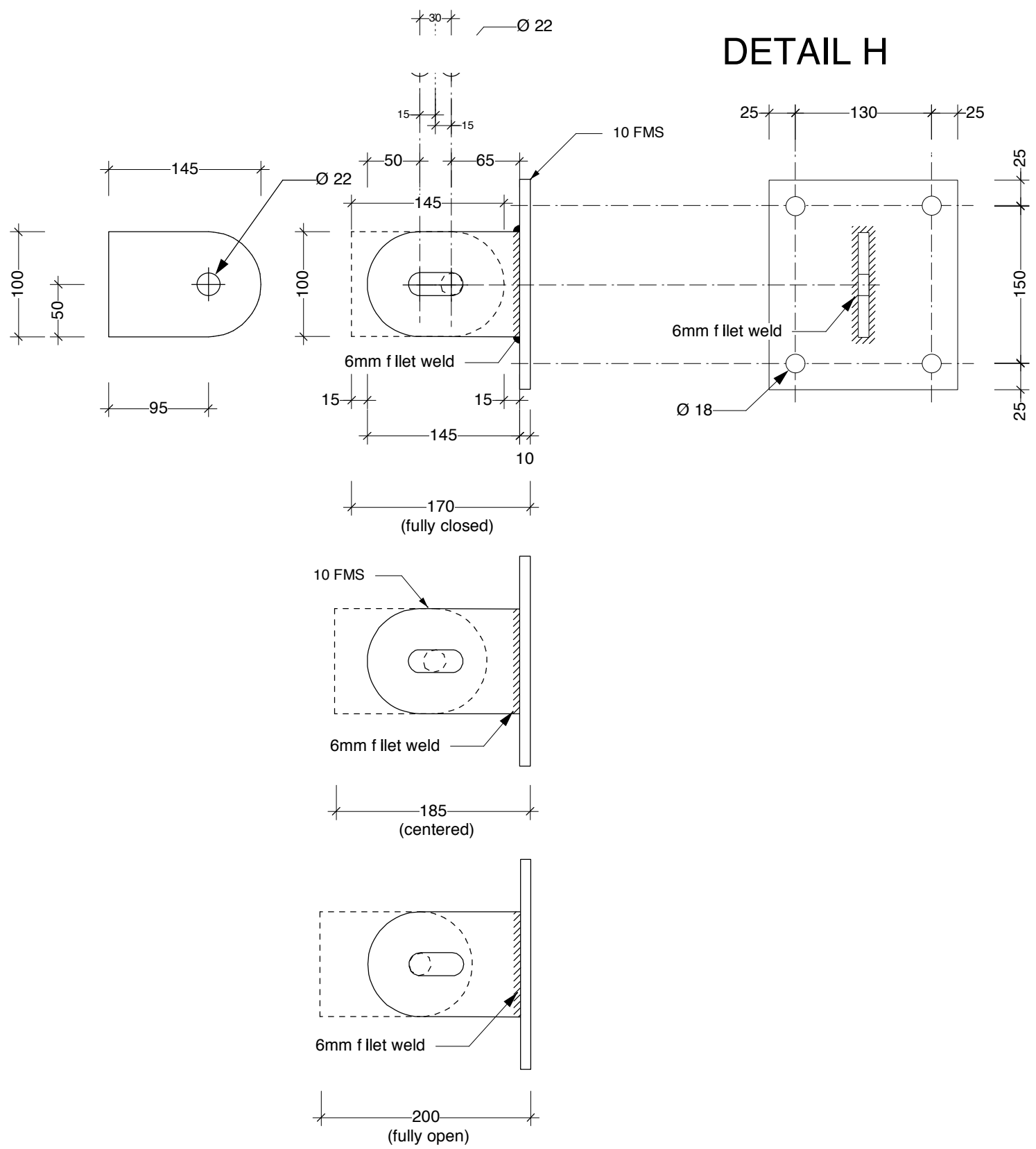
DETAIL 011

Detail F WD1

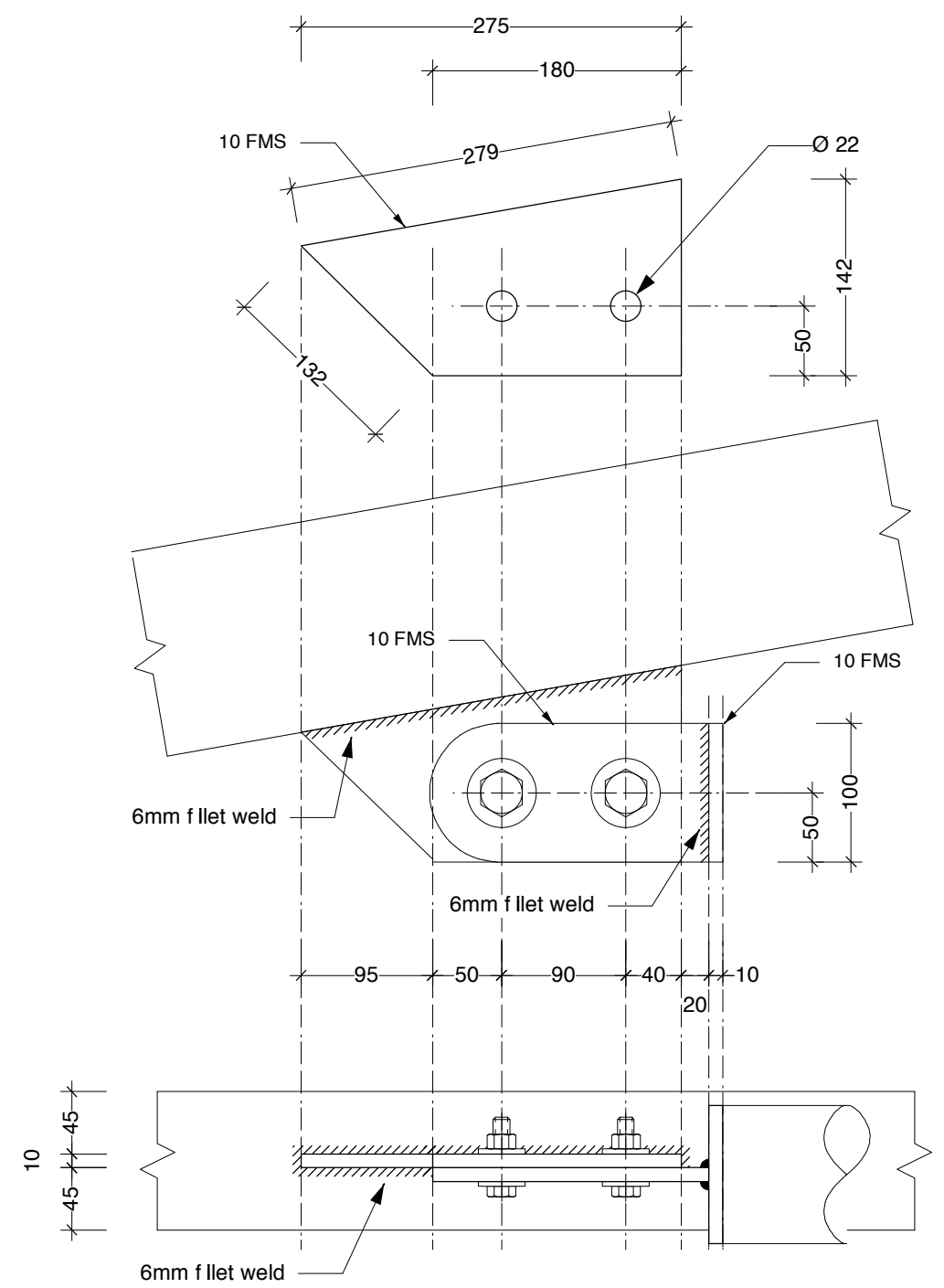
Scale 1 : 10

Drawing No.

PAPER SIZE A3
MS-11.2605-1



DETAIL H



DETAIL G

Design Firm
CAMERON DESIGN LOGIC
 Tel: (07) 5545 0601
 Fax: (07) 5545 2215
 camerondesignlogic@mac.com
 BSA 1125742
 Engineer

THE BUILDER IS RESPONSIBLE FOR THE SETTING OUT OF WORKS, THE CHECKING OF ALL DIMENSIONS & LEVELS ON SITE, & THE REPORTING OF ANY DISCREPANCIES TO THE PROPRIETOR PRIOR TO THE COMMENCEMENT OF WORK. DO NOT SCALE FROM THESE DRAWINGS

ALTERATION OF THIS DESIGN IS TO BE MADE BY WRITTEN INSTRUCTION ONLY AND TO BE SIGNED BY A REGISTERED PROFESSIONAL ENGINEER OR AN AUTHORISED REPRESENTATIVE OF FOREAL CONSTRUCTIONS

FOR FULL MATERIAL SPEC., SEE SHEET 011

MAJOR SHEDS & TANKS INDUSTRIAL SHED FABRICATION

499 Warwick Road
 Yamanto Qld 4305
 TEL: 07 3294 1600
 FAX: 07 3294 1622

Contact: Tim Dilger
 sales@majorshedsandtanks.com.au
 ABN: 79 140 683 398

Client
Radic Holdings Pty Ltd

Site
15 Argon Street Carole Park

ORIENTATION

Date: 9 September 2011
 Time: 1:51:20 AM
 File name: MS2605.mcd

Issue/Revision
Issue 4

Drawn By **IC**

CLIMATE ZONE 2
 WIND RATING: N3
 LOT 222 SP 233600
 PARISH WONGAROO

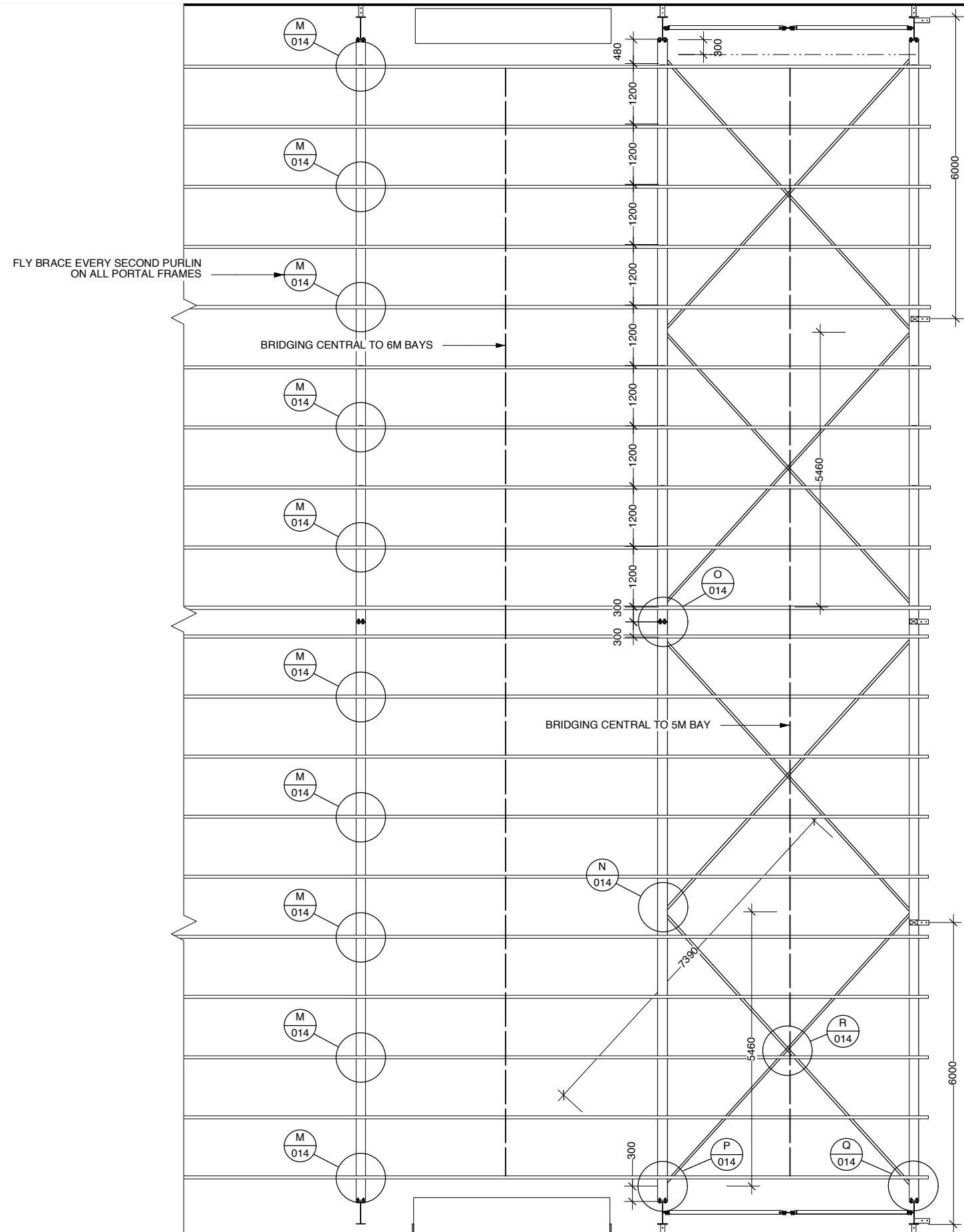
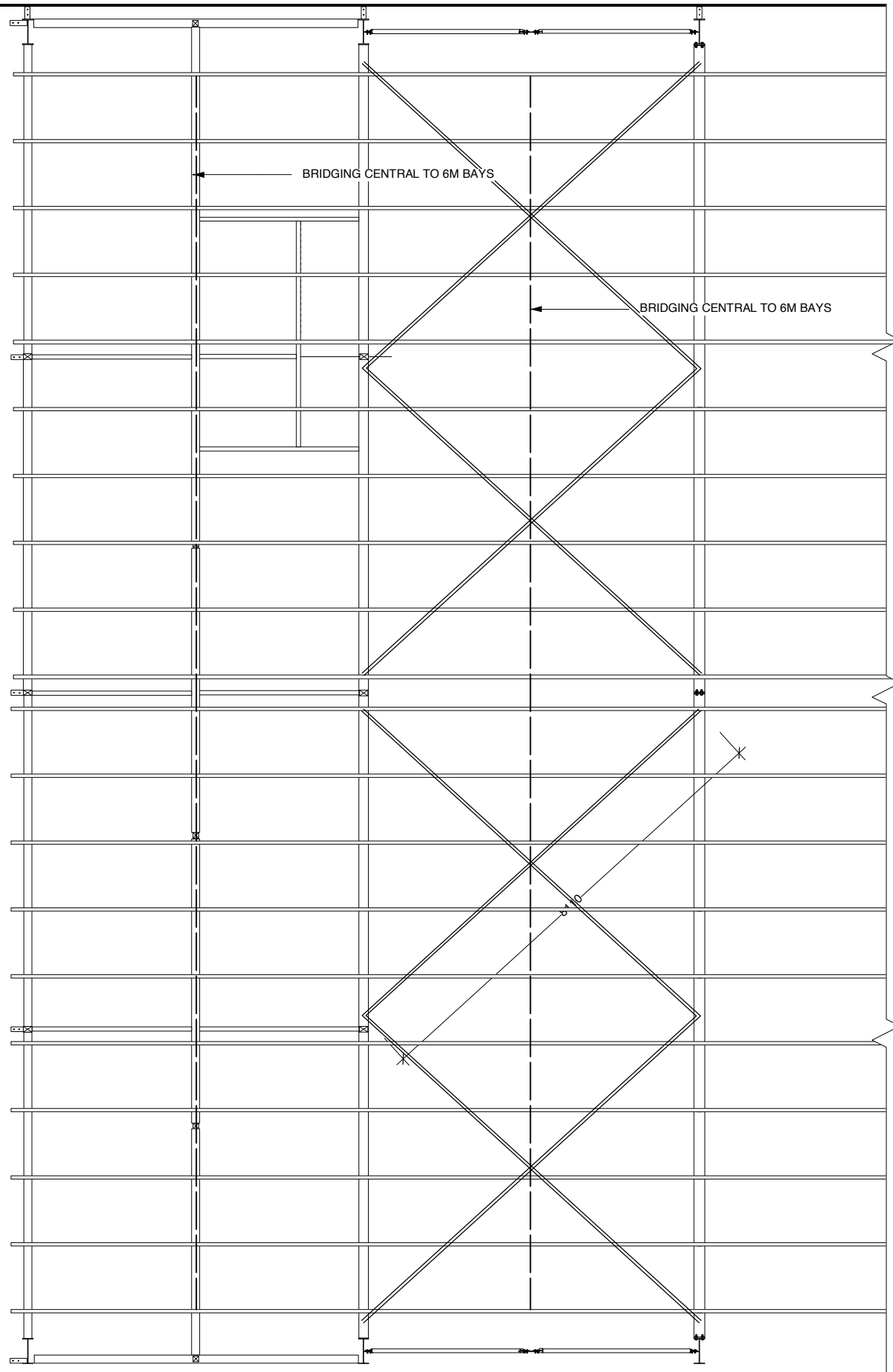
Total Sheets:
20

DETAIL 012

Detail G & H
 Scale 1:5

Drawing No. **MS-11.2605-1**

PAPER SIZE A3



Design Firm
CAMERON DESIGN LOGIC
 Tel: (07) 5545 0601
 Fax: (07) 5545 2215
 camerondesignlogic@mac.com
 BSA 1125742

Engineer

THE BUILDER IS RESPONSIBLE FOR THE SETTING OUT OF WORKS, THE CHECKING OF ALL DIMENSIONS & LEVELS ON SITE, & THE REPORTING OF ANY DISCREPANCIES TO THE PROPRIETOR PRIOR TO THE COMMENCEMENT OF WORK. DO NOT SCALE FROM THESE DRAWINGS

ALTERATION OF THIS DESIGN IS TO BE MADE BY WRITTEN INSTRUCTION ONLY AND TO BE SIGNED BY A REGISTERED PROFESSIONAL ENGINEER OR AN AUTHORISED REPRESENTATIVE OF FOREAL CONSTRUCTIONS

FOR FULL MATERIAL SPEC., SEE SHEET 011

MAJOR SHEDS & TANKS INDUSTRIAL SHED FABRICATION

499 Warwick Road
 Yamanto Qld 4305
 TEL: 07 3294 1600
 FAX: 07 3294 1622

Contact: Tim Dilger
 sales@majorshedsandtanks.com.au
 ABN: 79 140 683 398

Client

Radic Holdings Pty Ltd

Site

15 Argon Street Carole Park

ORIENTATION

Date: 9 September 2011
 Time: 1:51:20 AM
 File name: MS2605.mcd

Issue/Revision

Issue 4

Drawn By IC

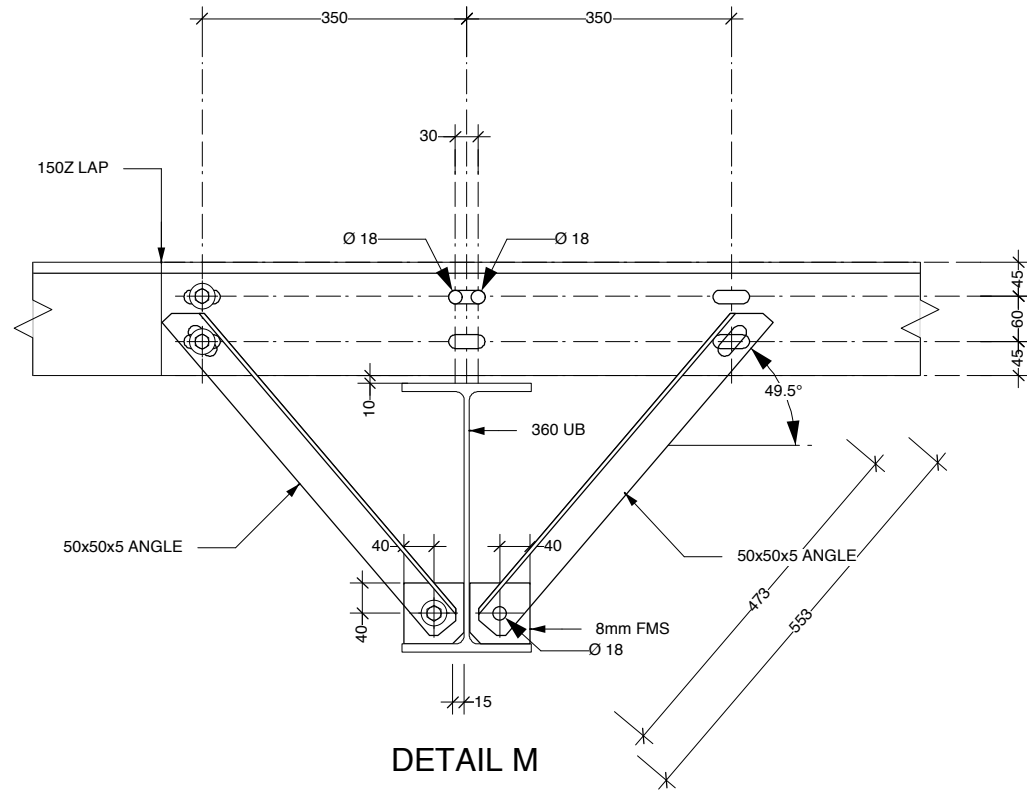
CLIMATE ZONE 2
 WIND RATING: N3
 LOT 222 SP 233600
 PARISH WONGAROO

Total Sheets:

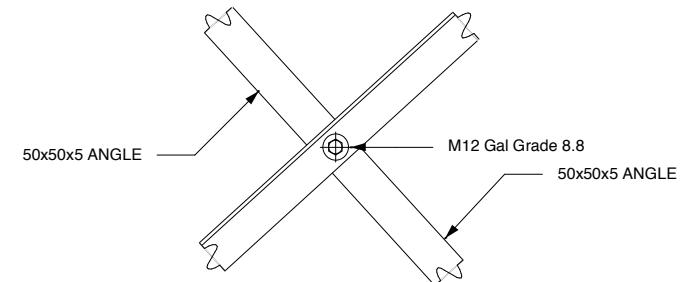
20

PLAN 013
Roof Frame Bracing WD1

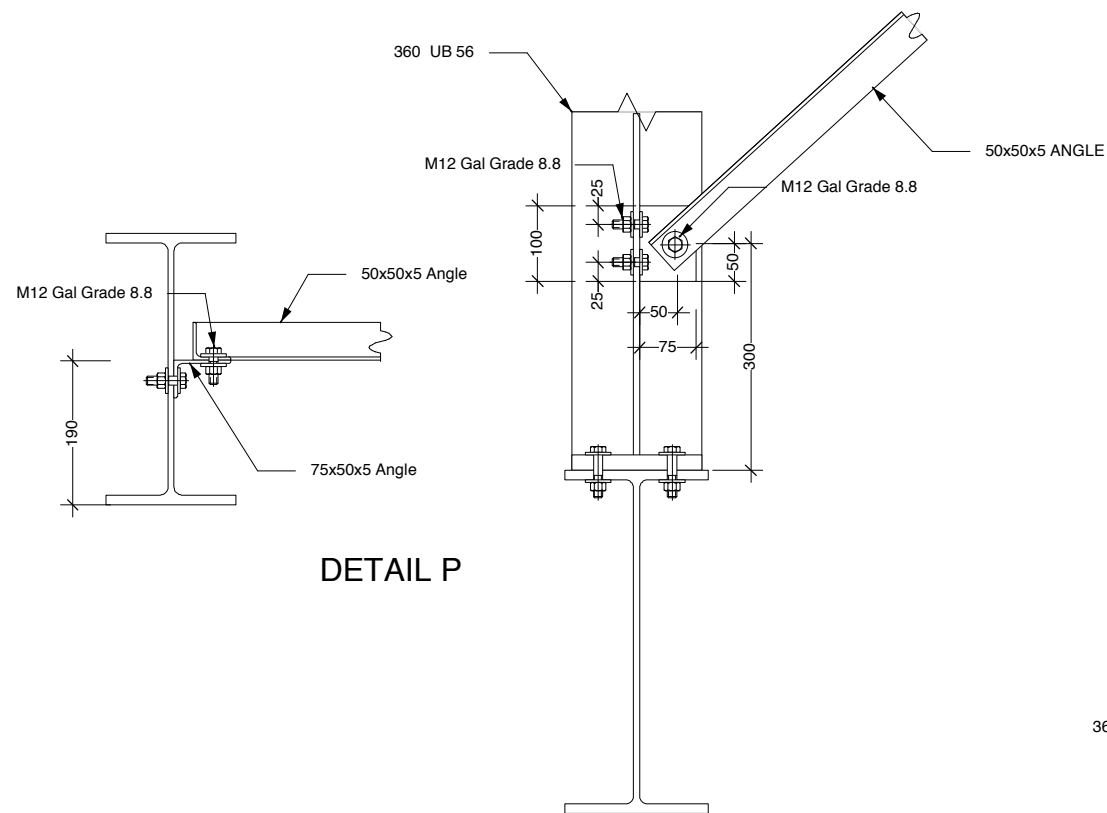
Drawing No. **PAPER SIZE A3**
MS-11.2605-1



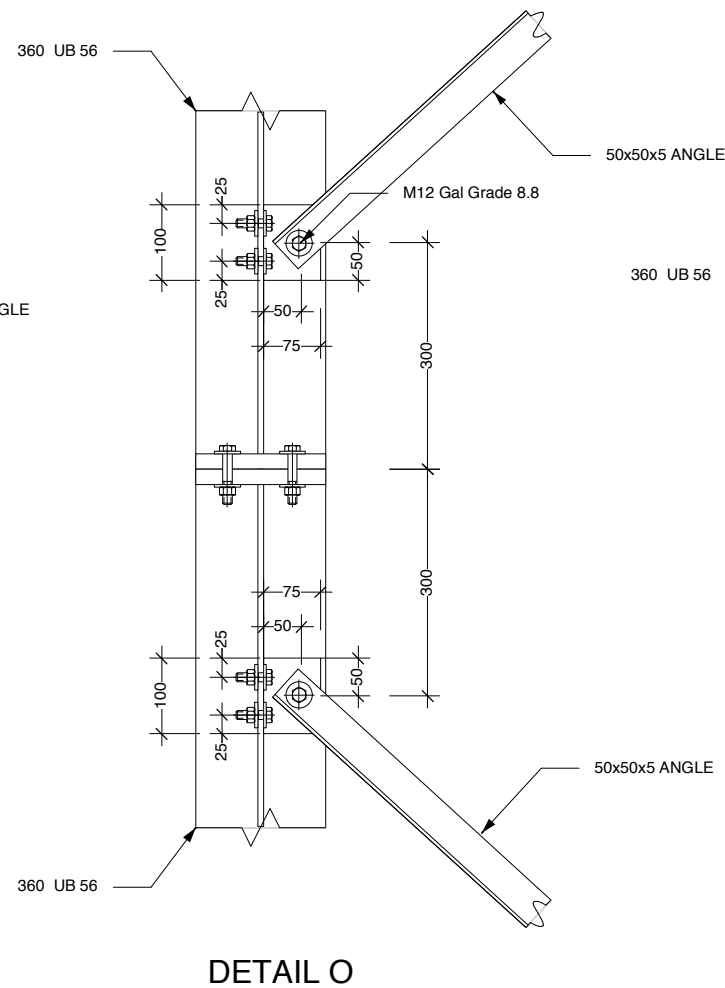
DETAIL M



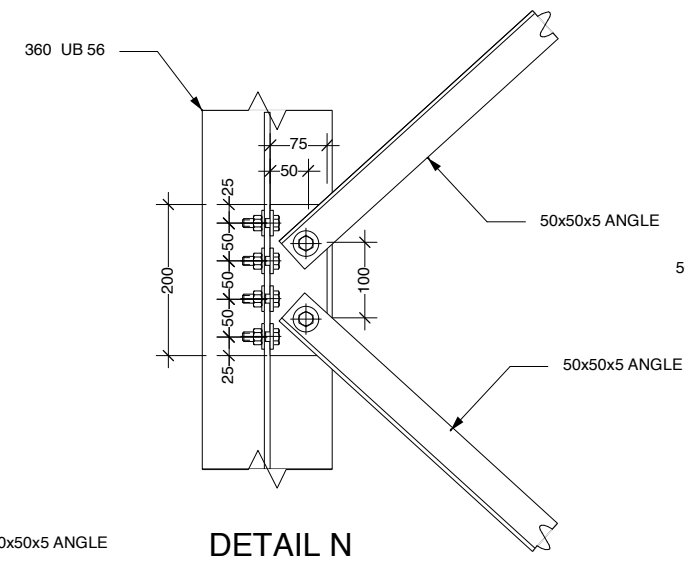
DETAIL R



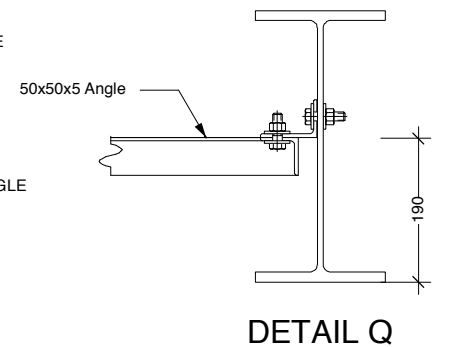
DETAIL P



DETAIL O



DETAIL N



DETAIL Q

Design Firm
CAMERON DESIGN LOGIC
 Tel: (07) 5545 0601
 Fax: (07) 5545 2215
 camerondesignlogic@mac.com
 BSA 1125742
 Engineer

THE BUILDER IS RESPONSIBLE FOR THE SETTING OUT OF WORKS, THE CHECKING OF ALL DIMENSIONS & LEVELS ON SITE, & THE REPORTING OF ANY DISCREPANCIES TO THE PROPRIETOR PRIOR TO THE COMMENCEMENT OF WORK. DO NOT SCALE FROM THESE DRAWINGS
 ALTERATION OF THIS DESIGN IS TO BE MADE BY WRITTEN INSTRUCTION ONLY AND TO BE SIGNED BY A REGISTERED PROFESSIONAL ENGINEER OR AN AUTHORISED REPRESENTATIVE OF FOREAL CONSTRUCTIONS

FOR FULL MATERIAL SPEC., SEE SHEET 011

**MAJOR SHEDS & TANKS
 INDUSTRIAL SHED FABRICATION**

499 Warwick Road
 Yamanto Qld 4305
 TEL: 07 3294 1600
 FAX: 07 3294 1622

Contact: Tim Dilger
 sales@majorshedsandtanks.com.au
 ABN: 79 140 683 398

Client
Radic Holdings Pty Ltd

Site
15 Argon Street Carole Park

ORIENTATION
 Date: 9 September 2011
 Time: 1:51:20 AM
 File name: MS2605.mcd

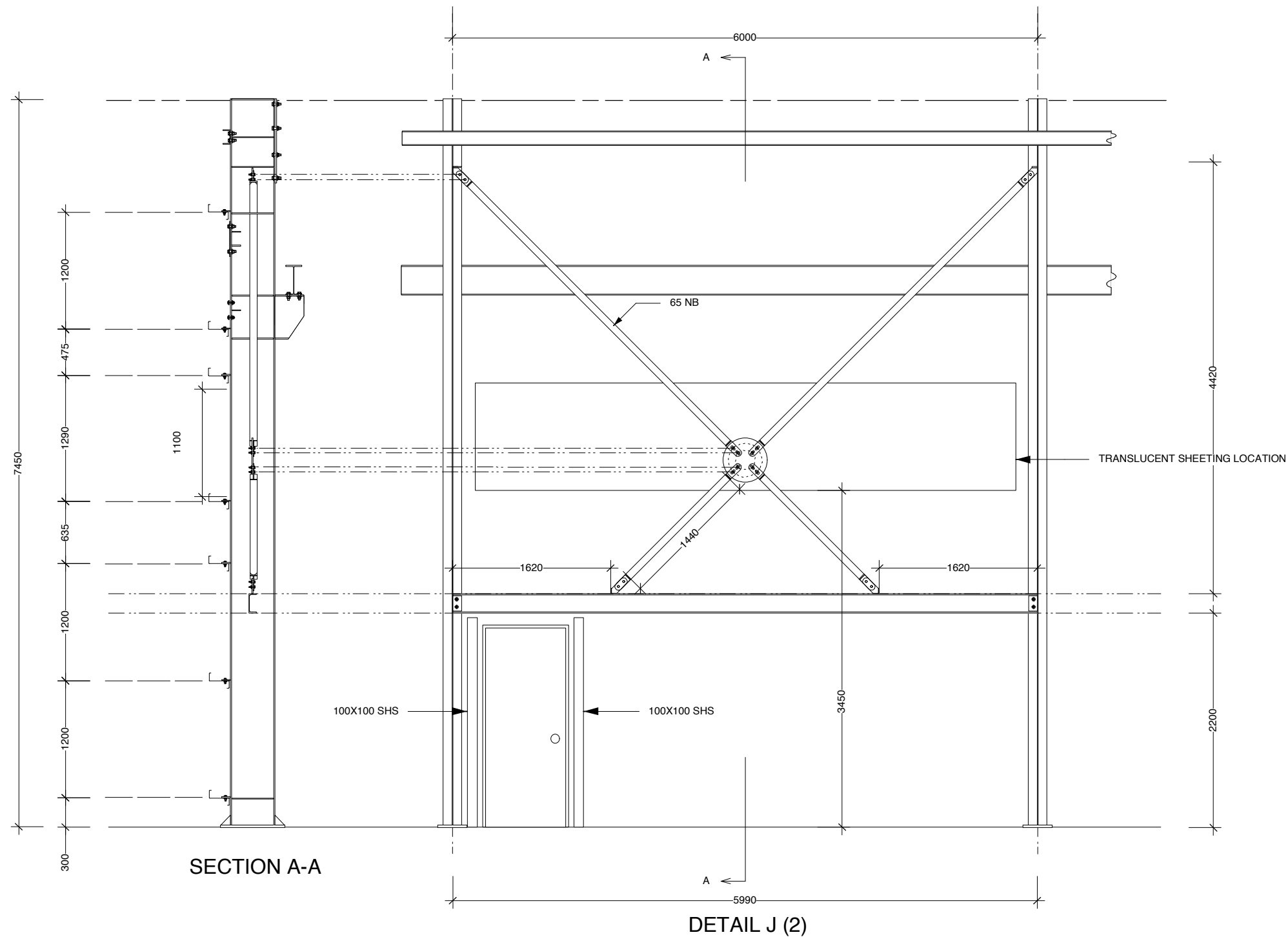
Issue/Revision
Issue 4
 Drawn By **IC**

CLIMATE ZONE 2
 WIND RATING: N3
 LOT 222 SP 233600
 PARISH WONGAROO
 Total Sheets:
20

DETAIL 014

Roof Frame WD1
 Scale 1 : 10

Drawing No. **PAPER SIZE A3
 MS-11.2605-1**



Design Firm
CAMERON DESIGN LOGIC
 Tel: (07) 5545 0601
 Fax: (07) 5545 2215
 camerondesignlogic@mac.com
 BSA 1125742

THE BUILDER IS RESPONSIBLE FOR THE SETTING OUT OF WORKS, THE CHECKING OF ALL DIMENSIONS & LEVELS ON SITE, & THE REPORTING OF ANY DISCREPANCIES TO THE PROPRIETOR PRIOR TO THE COMMENCEMENT OF WORK. DO NOT SCALE FROM THESE DRAWINGS

ALTERATION OF THIS DESIGN IS TO BE MADE BY WRITTEN INSTRUCTION ONLY AND TO BE SIGNED BY A REGISTERED PROFESSIONAL ENGINEER OR AN AUTHORISED REPRESENTATIVE OF FOREAL CONSTRUCTIONS

FOR FULL MATERIAL SPEC., SEE SHEET 011

**MAJOR SHEDS & TANKS
 INDUSTRIAL SHED FABRICATION**

499 Warwick Road
 Yamanto Qld 4305
 TEL: 07 3294 1600
 FAX: 07 3294 1622

Contact: Tim Dilger
 sales@majorshedsandtanks.com.au
 ABN: 79 140 683 398

Client
Radic Holdings Pty Ltd

Site
15 Argon Street Carole Park

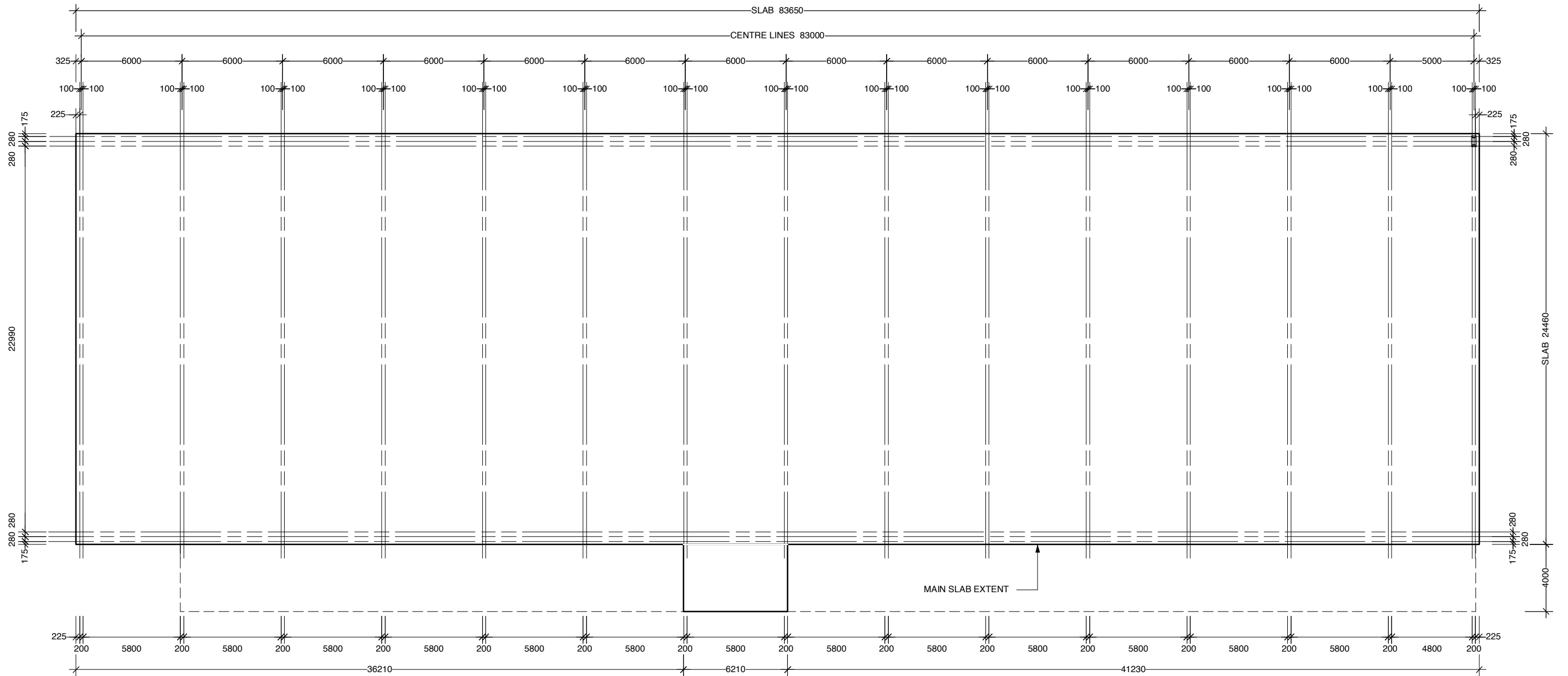
ORIENTATION
 Date: 9 September 2011
 Time: 1:51:20 AM
 File name: MS2605.mcd

Issue/Revision
Issue 4
 Drawn By **IC**
 Total Sheets:
20

CLIMATE ZONE 2
 WIND RATING: N3
 LOT 222 SP 233600
 PARISH WONGAROO

DETAIL 015
PA Door BracE Bay
 Scale 1 : 50
WD1

Drawing No. **PAPER SIZE A3**
MS-11.2605-1



Design Firm
CAMERON DESIGN LOGIC
 Tel: (07) 5545 0601
 Fax: (07) 5545 2215
 camerondesignlogic@mac.com
 BSA 1125742

THE BUILDER IS RESPONSIBLE FOR THE SETTING OUT OF WORKS, THE CHECKING OF ALL DIMENSIONS & LEVELS ON SITE, & THE REPORTING OF ANY DISCREPANCIES TO THE PROPRIETOR PRIOR TO THE COMMENCEMENT OF WORK. DO NOT SCALE FROM THESE DRAWINGS

ALTERATION OF THIS DESIGN IS TO BE MADE BY WRITTEN INSTRUCTION ONLY AND TO BE SIGNED BY A REGISTERED PROFESSIONAL ENGINEER OR AN AUTHORISED REPRESENTATIVE OF FOREAL CONSTRUCTIONS

FOR FULL MATERIAL SPEC., SEE SHEET 011

MAJOR SHEDS & TANKS INDUSTRIAL SHED FABRICATION

499 Warwick Road
 Yamanto Qld 4305
 TEL: 07 3294 1600
 FAX: 07 3294 1622

Contact: Tim Dilger
 sales@majorshedsandtanks.com.au
 ABN: 79 140 683 398

Client
Radic Holdings Pty Ltd

Site
15 Argon Street Carole Park



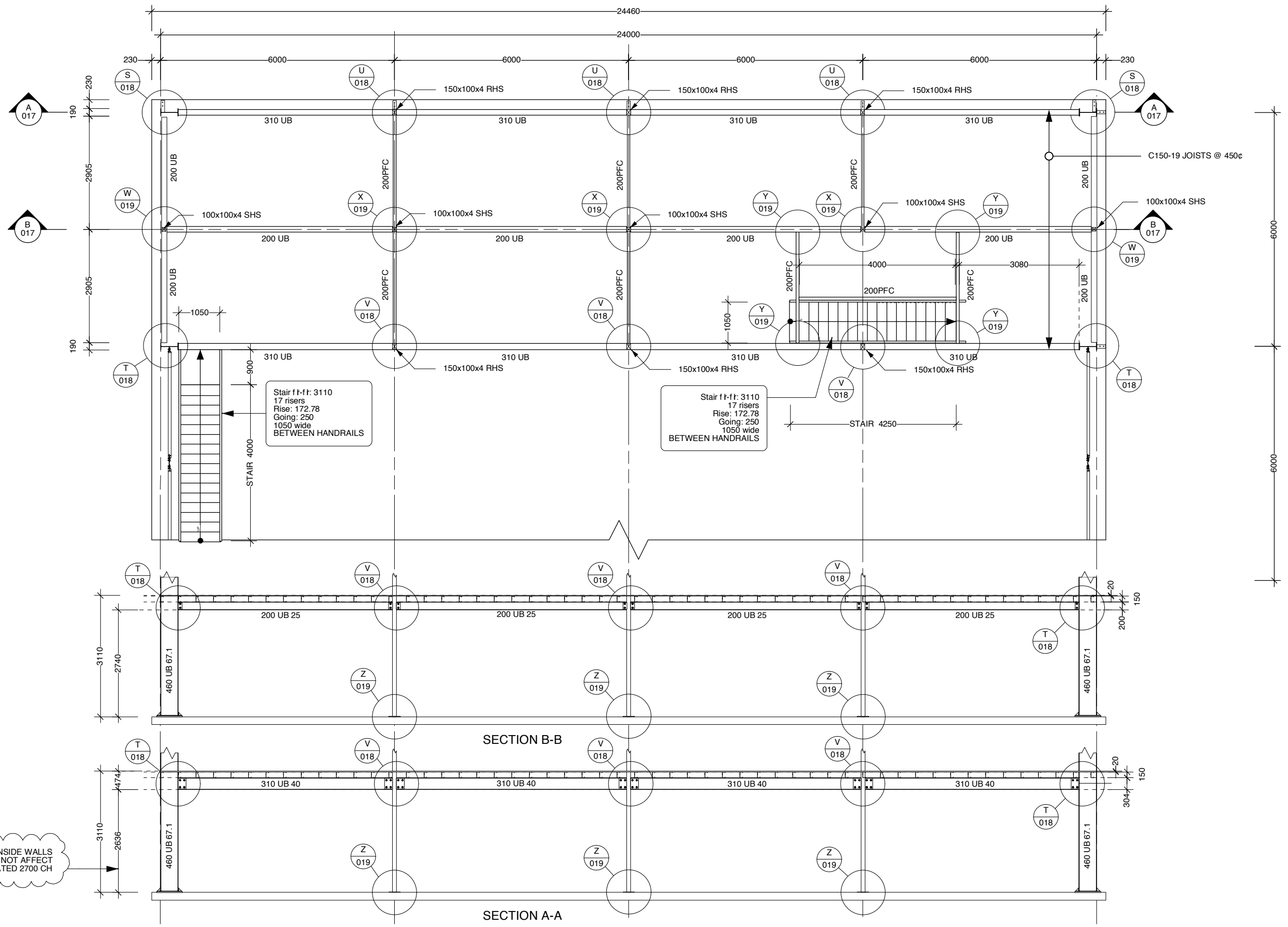
Date: 9 September 2011
 Time: 1:51:20 AM
 File name: MS2605.mcd

Issue/Revision
Issue 4
 Drawn By **IC**
 Total Sheets:
20

CLIMATE ZONE 2
 WIND RATING: N3
 LOT 222 SP 233600
 PARISH WONGAROO

PLAN **016**
 Portal Set out **WD1**
 Scale 1 : 250

Drawing No. **PAPER SIZE A3**
MS-11.2605-1



Design Firm
CAMERON DESIGN LOGIC
 Tel: (07) 5545 0601
 Fax: (07) 5545 2215
 camerondesignlogic@mac.com
 BSA 1125742
 Engineer

THE BUILDER IS RESPONSIBLE FOR THE SETTING OUT OF WORKS, THE CHECKING OF ALL DIMENSIONS & LEVELS ON SITE, & THE REPORTING OF ANY DISCREPANCIES TO THE PROPRIETOR PRIOR TO THE COMMENCEMENT OF WORK. DO NOT SCALE FROM THESE DRAWINGS

ALTERATION OF THIS DESIGN IS TO BE MADE BY WRITTEN INSTRUCTION ONLY AND TO BE SIGNED BY A REGISTERED PROFESSIONAL ENGINEER OR AN AUTHORISED REPRESENTATIVE OF FOREAL CONSTRUCTIONS

FOR FULL MATERIAL SPEC., SEE SHEET 011

MAJOR SHEDS & TANKS
INDUSTRIAL SHED FABRICATION

499 Warwick Road
 Yamanto Qld 4305
 TEL: 07 3294 1600
 FAX: 07 3294 1622

Contact: Tim Dilger
 sales@majorshedsandtanks.com.au
 ABN: 79 140 683 398

Client
Radic Holdings Pty Ltd

Site
15 Argon Street Carole Park

ORIENTATION

Date: 9 September 2011
 Time: 1:51:20 AM
 File name: MS2605.mcd

Issue/Revision
Issue 4

Drawn By
IC

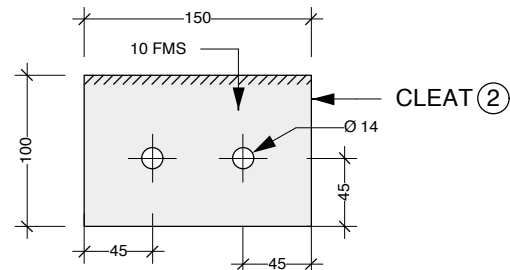
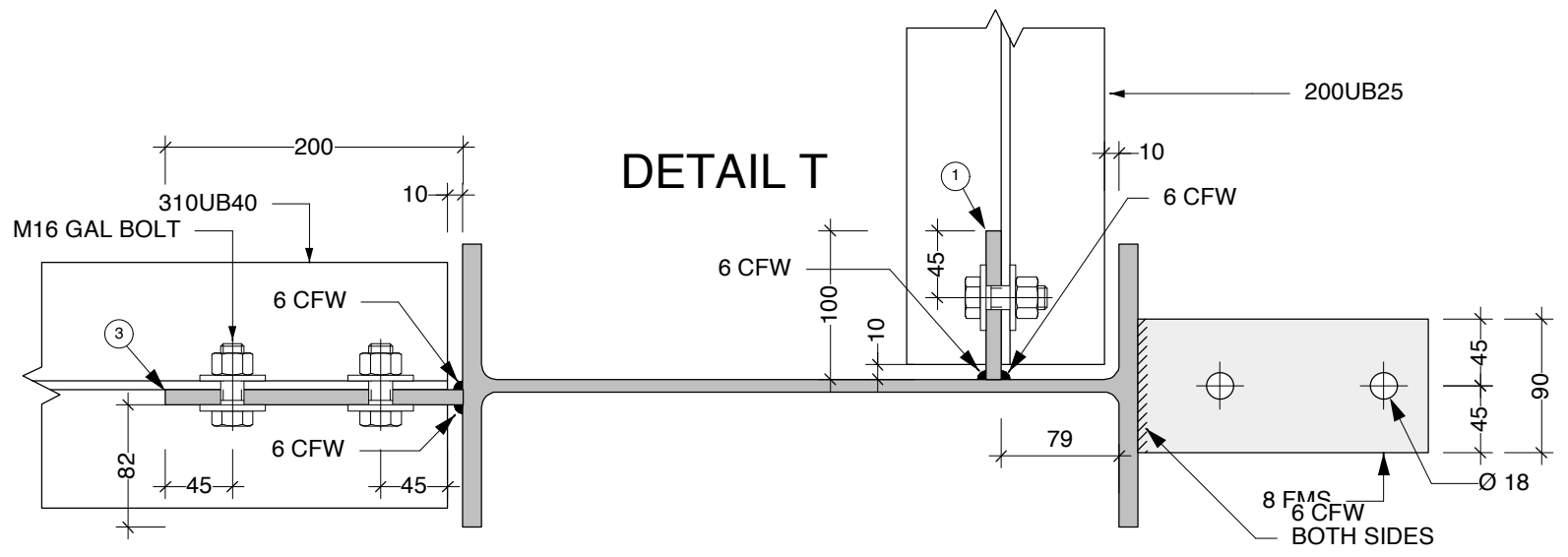
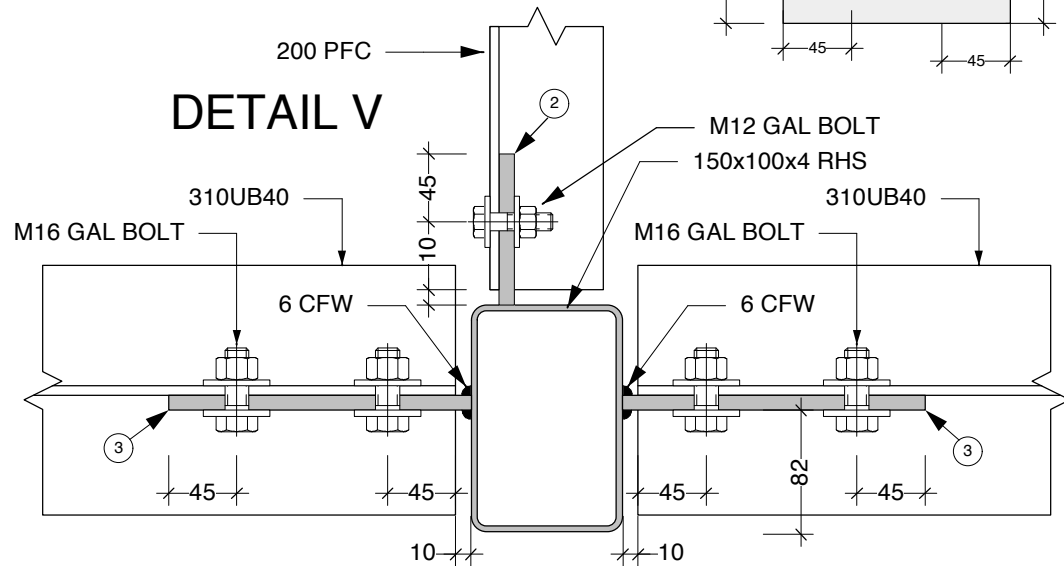
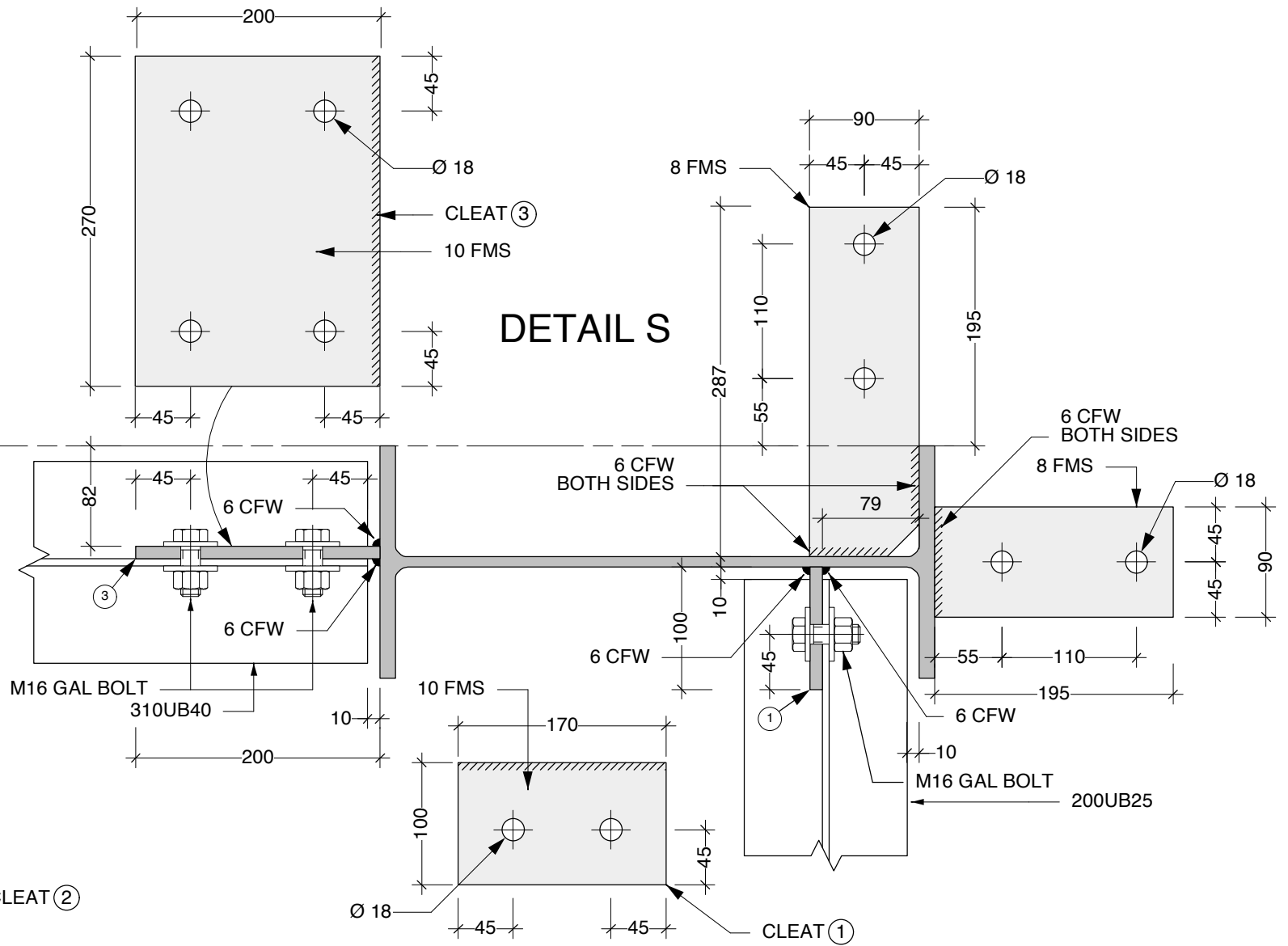
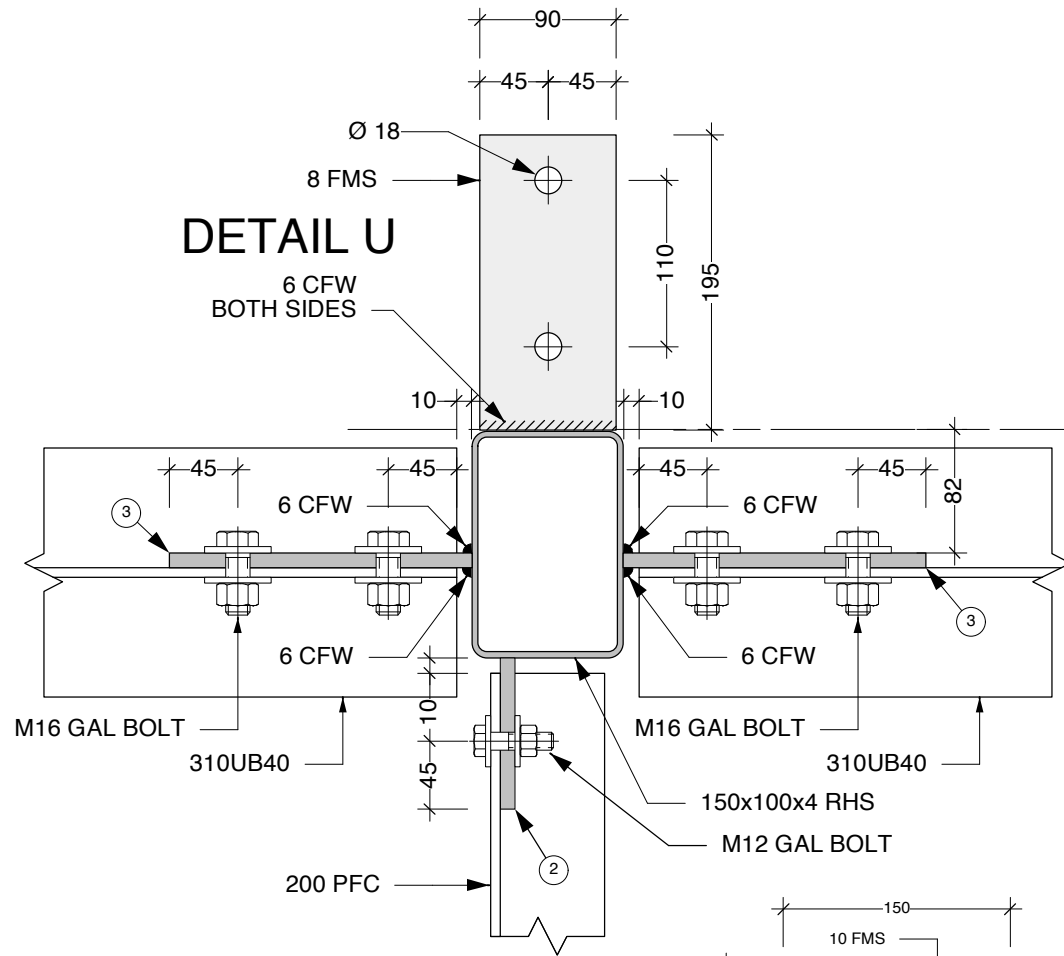
CLIMATE ZONE 2
 WIND RATING: N3
 LOT 222 SP 233600
 PARISH WONGAROO

Total Sheets:
20

PLAN **017**

Mezzanine Steel **WD1**

Drawing No. **PAPER SIZE A3**
MS-11.2605-1



Design Firm
CAMERON DESIGN LOGIC
 Tel: (07) 5545 0601
 Fax: (07) 5545 2215
 camerondesignlogic@mac.com
 BSA 1125742

THE BUILDER IS RESPONSIBLE FOR THE SETTING OUT OF WORKS, THE CHECKING OF ALL DIMENSIONS & LEVELS ON SITE, & THE REPORTING OF ANY DISCREPANCIES TO THE PROPRIETOR PRIOR TO THE COMMENCEMENT OF WORK. DO NOT SCALE FROM THESE DRAWINGS

ALTERATION OF THIS DESIGN IS TO BE MADE BY WRITTEN INSTRUCTION ONLY AND TO BE SIGNED BY A REGISTERED PROFESSIONAL ENGINEER OR AN AUTHORISED REPRESENTATIVE OF FOREAL CONSTRUCTIONS

FOR FULL MATERIAL SPEC., SEE SHEET 011

MAJOR SHEDS & TANKS INDUSTRIAL SHED FABRICATION

499 Warwick Road
 Yamanto Qld 4305
 TEL: 07 3294 1600
 FAX: 07 3294 1622

Contact: Tim Dilger
 sales@majorshedsandtanks.com.au
 ABN: 79 140 683 398

Client
Radic Holdings Pty Ltd

Site
15 Argon Street Carole Park

ORIENTATION
 Date: 9 September 2011
 Time: 1:51:20 AM
 File name: MS2605.mcd

Issue/Revision
Issue 4

Drawn By
IC

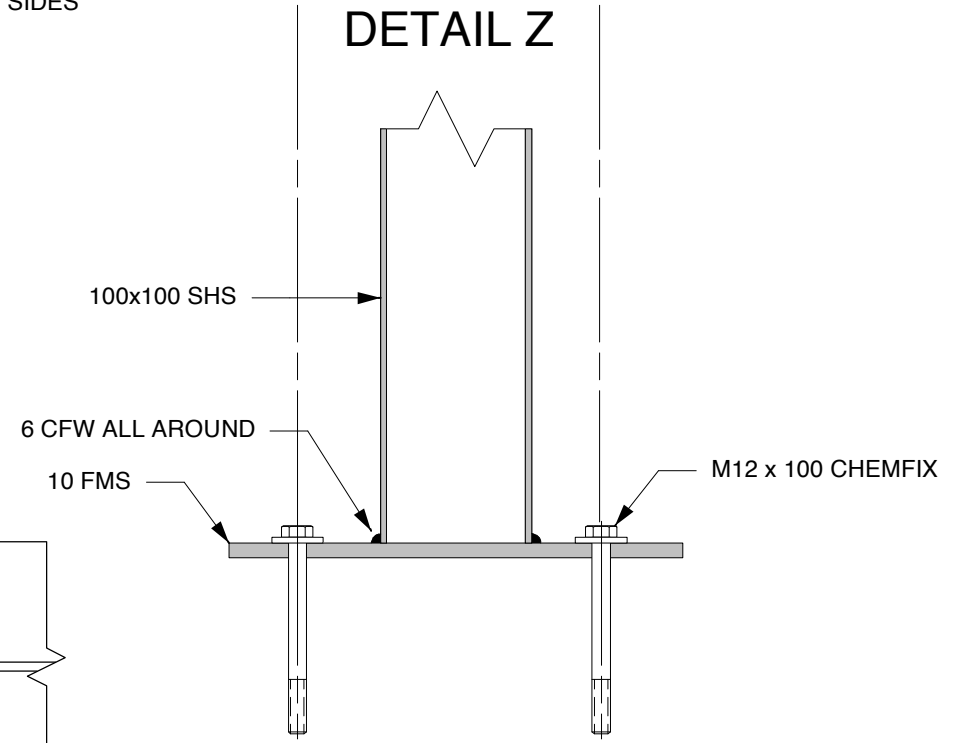
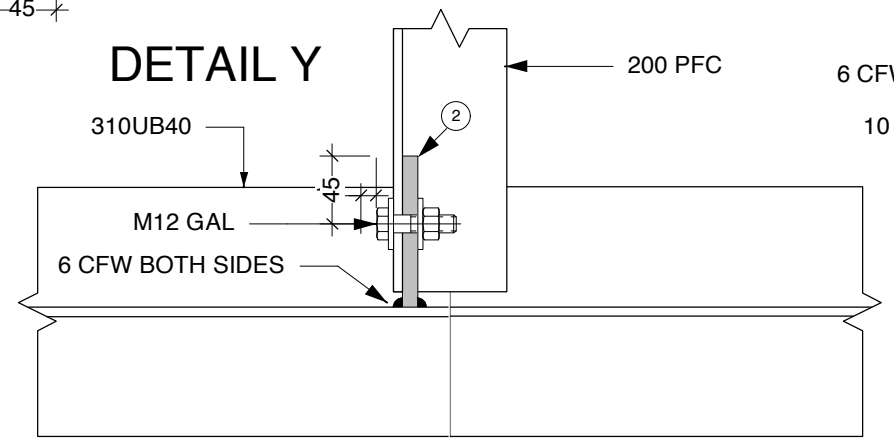
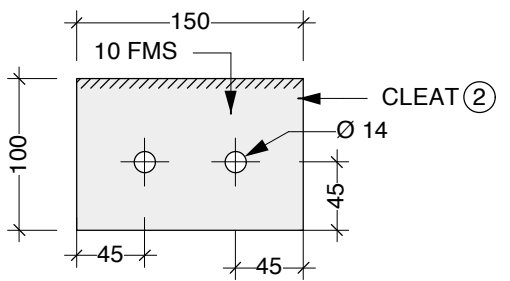
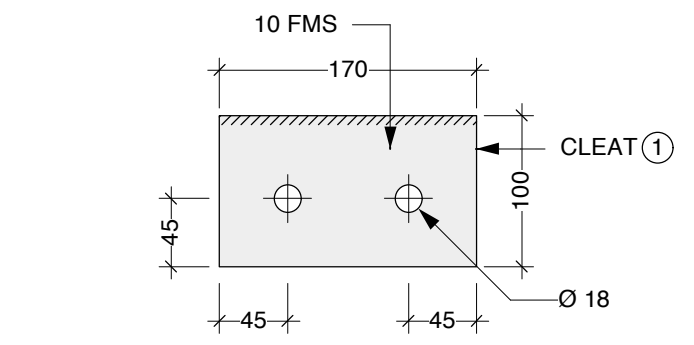
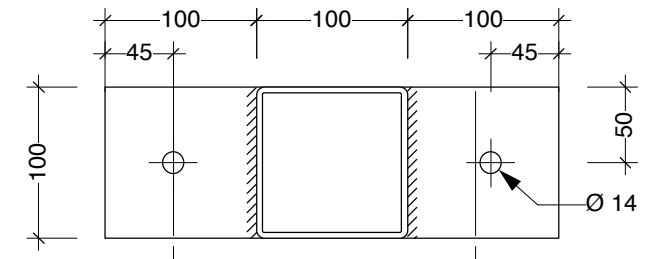
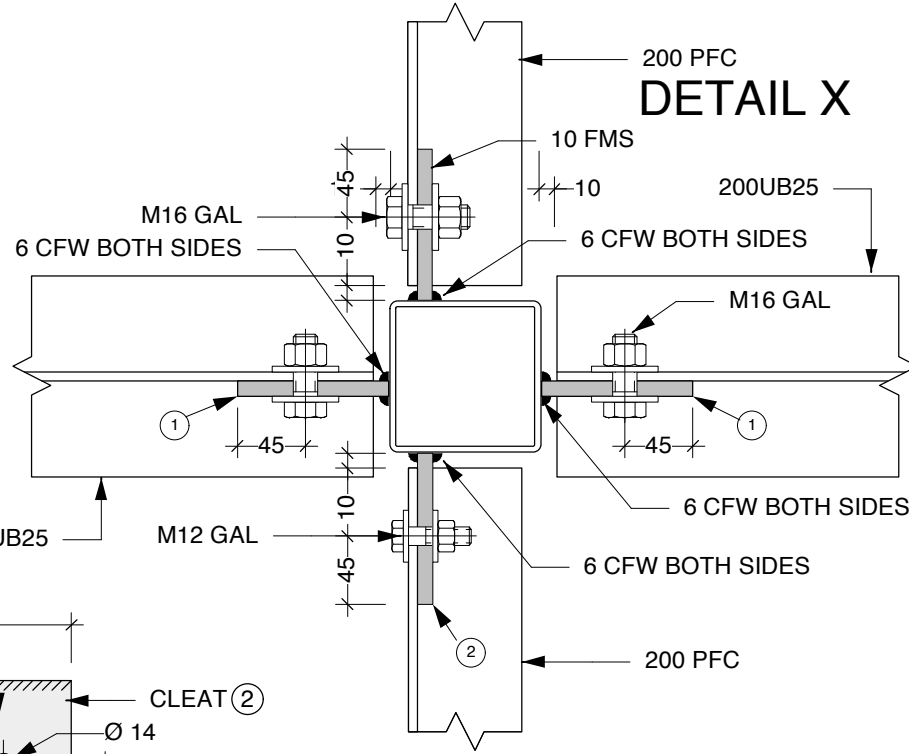
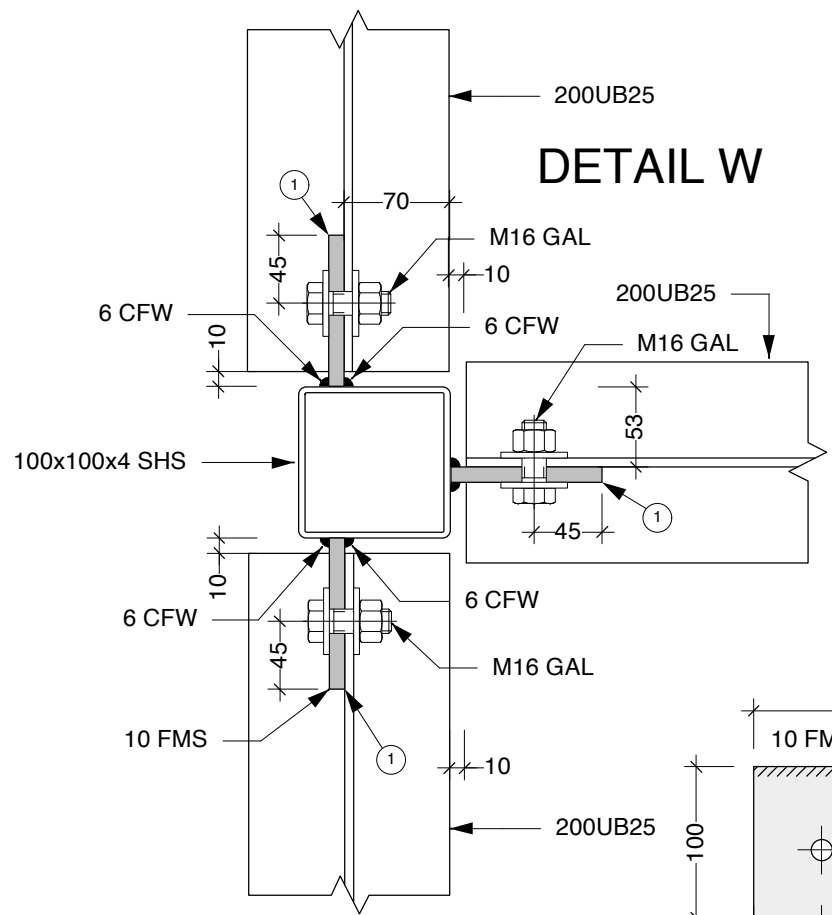
CLIMATE ZONE 2
 WIND RATING: N3
 LOT 222 SP 233600
 PARISH WONGAROO

Total Sheets:
20

DETAIL 018

Mezz Connection WD1

Drawing No. **PAPER SIZE A3**
MS-11.2605-1



Design Firm
CAMERON DESIGN LOGIC
 Tel: (07) 5545 0601
 Fax: (07) 5545 2215
 camerondesignlogic@mac.com
 BSA 1125742
 Engineer

THE BUILDER IS RESPONSIBLE FOR THE SETTING OUT OF WORKS, THE CHECKING OF ALL DIMENSIONS & LEVELS ON SITE, & THE REPORTING OF ANY DISCREPANCIES TO THE PROPRIETOR PRIOR TO THE COMMENCEMENT OF WORK. DO NOT SCALE FROM THESE DRAWINGS

ALTERATION OF THIS DESIGN IS TO BE MADE BY WRITTEN INSTRUCTION ONLY AND TO BE SIGNED BY A REGISTERED PROFESSIONAL ENGINEER OR AN AUTHORISED REPRESENTATIVE OF FOREAL CONSTRUCTIONS

FOR FULL MATERIAL SPEC., SEE SHEET 011

MAJOR SHEDS & TANKS
INDUSTRIAL SHED FABRICATION

499 Warwick Road
 Yamanto Qld 4305
 TEL: 07 3294 1600
 FAX: 07 3294 1622

Contact: Tim Dilger
 sales@majorshedsandtanks.com.au
 ABN: 79 140 683 398

Client
Radic Holdings Pty Ltd

Site
15 Argon Street Carole Park

ORIENTATION
 Date: 9 September 2011
 Time: 1:51:20 AM
 File name: MS2605.mcd

Issue/Revision
Issue 4

Drawn By
IC

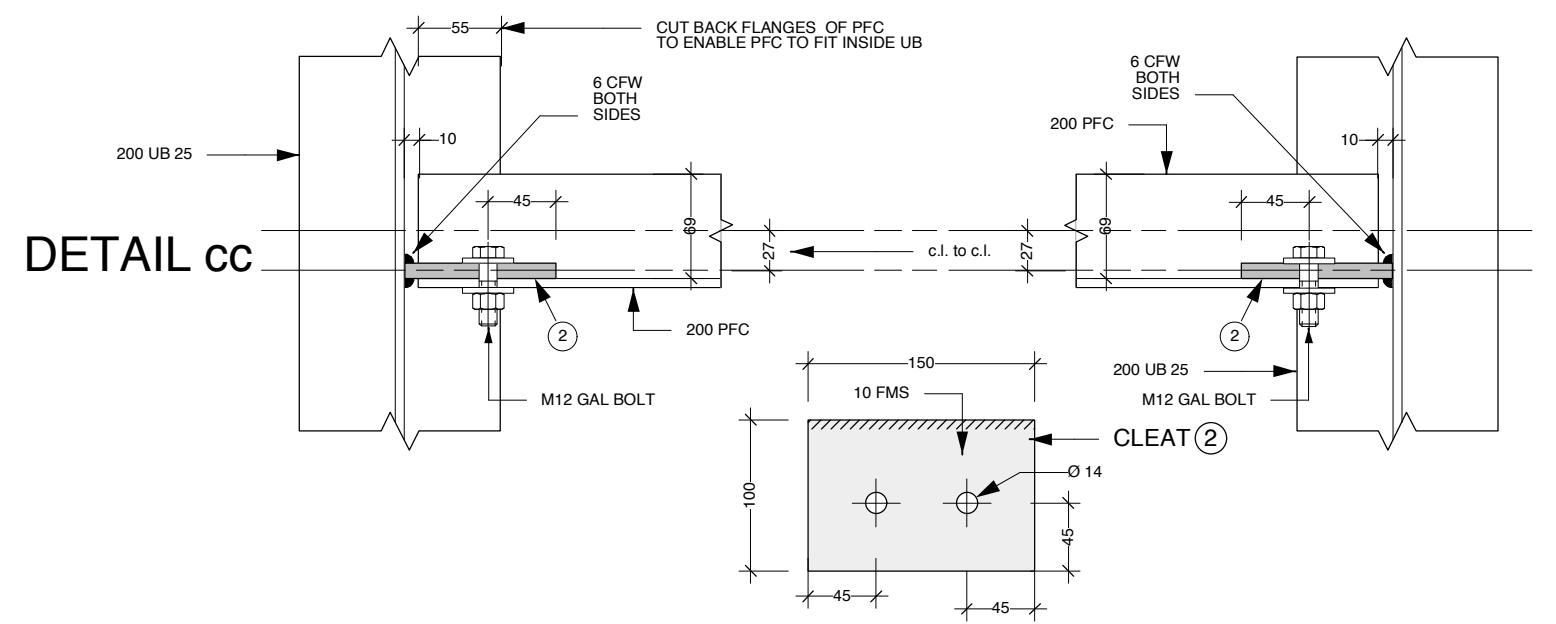
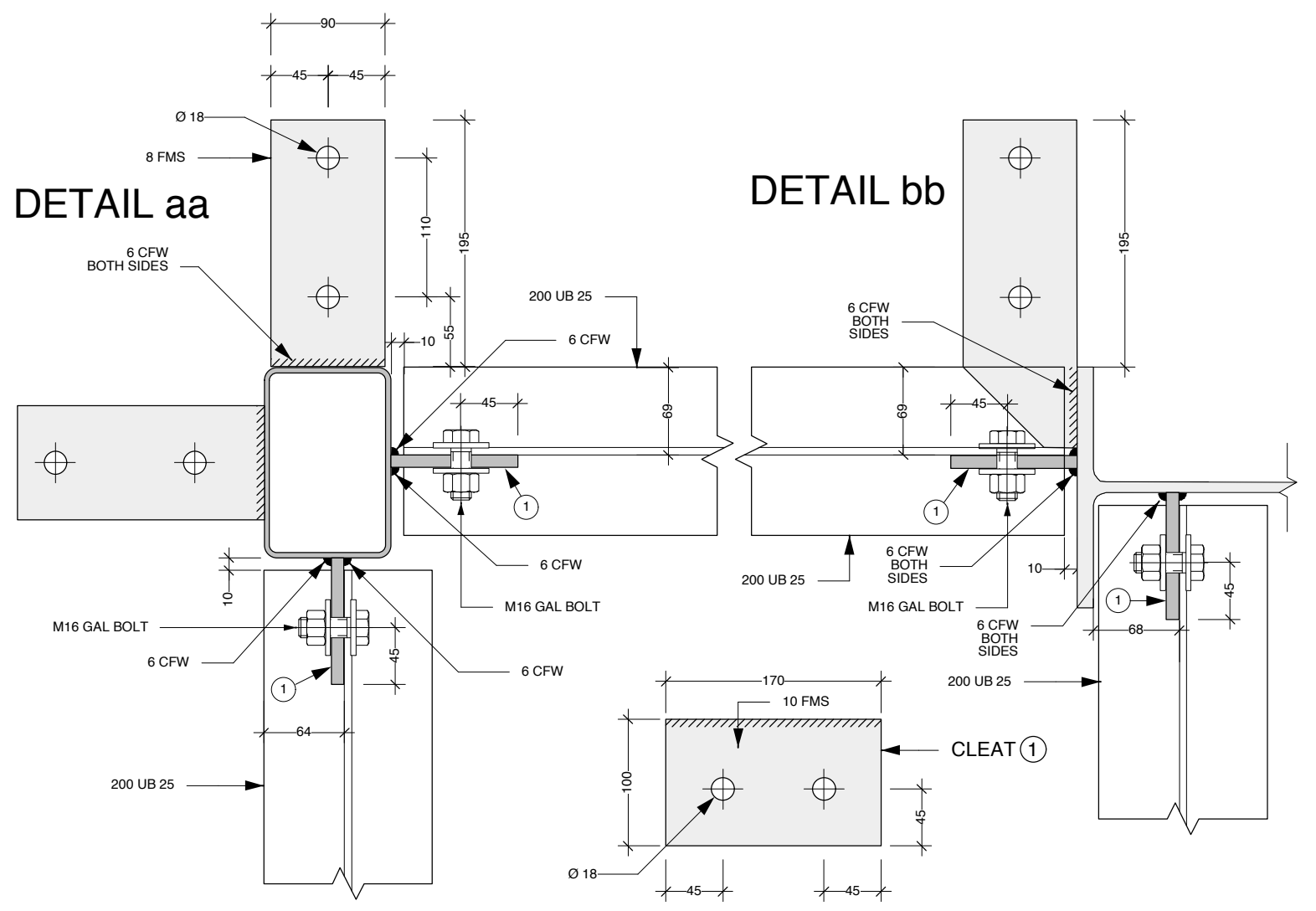
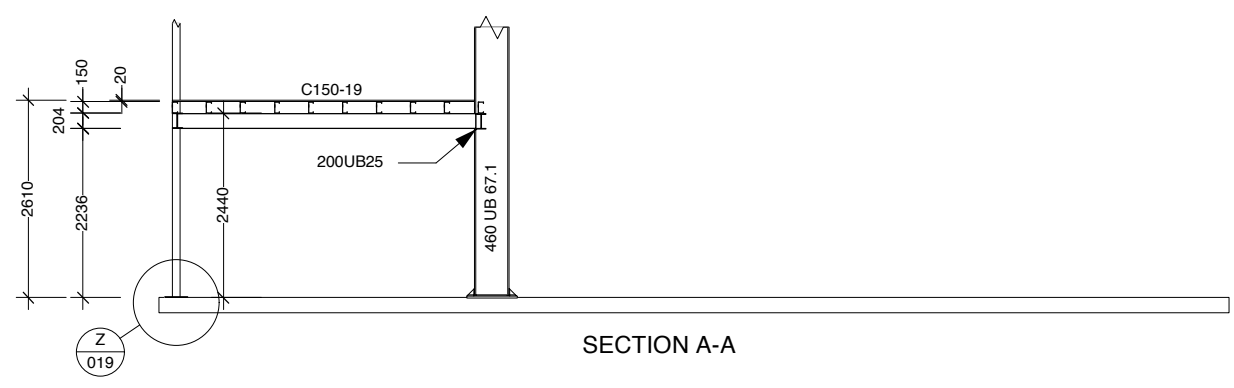
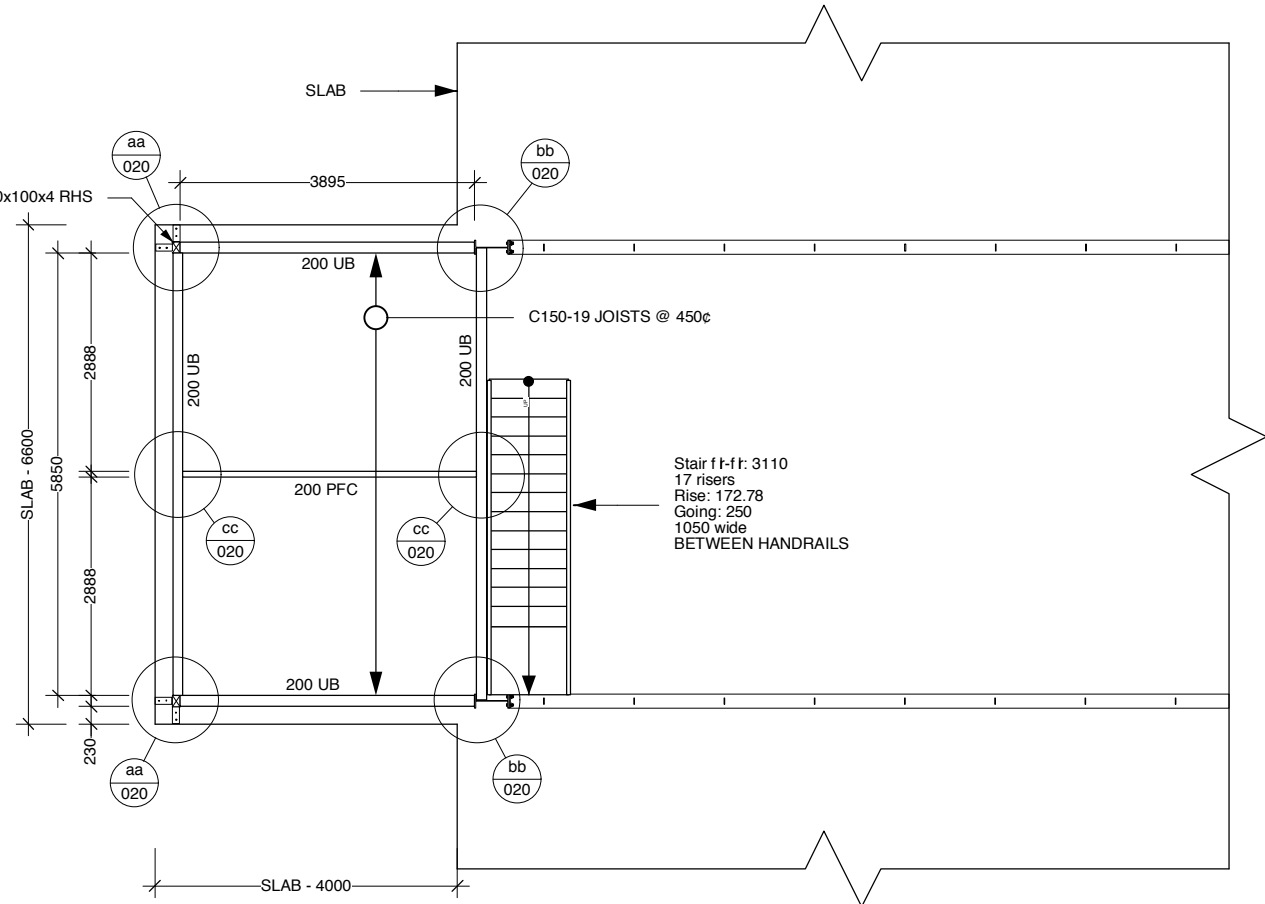
CLIMATE ZONE 2
 WIND RATING: N3
 LOT 222 SP 233600
 PARISH WONGAROO

Total Sheets:
20

DETAIL 019

Mezz Connection WD1

Drawing No. **PAPER SIZE A3**
MS-11.2605-1



Design Firm
CAMERON DESIGN LOGIC
Tel: (07) 5545 0601
Fax: (07) 5545 2215
camerondesignlogic@mac.com
BSA 1125742
Engineer

THE BUILDER IS RESPONSIBLE FOR THE SETTING OUT OF WORKS, THE CHECKING OF ALL DIMENSIONS & LEVELS ON SITE, & THE REPORTING OF ANY DISCREPANCIES TO THE PROPRIETOR PRIOR TO THE COMMENCEMENT OF WORK. DO NOT SCALE FROM THESE DRAWINGS.
ALTERATION OF THIS DESIGN IS TO BE MADE BY WRITTEN INSTRUCTION ONLY AND TO BE SIGNED BY A REGISTERED PROFESSIONAL ENGINEER OR AN AUTHORISED REPRESENTATIVE OF FOREAL CONSTRUCTIONS

FOR FULL MATERIAL SPEC., SEE SHEET 011

MAJOR SHEDS & TANKS INDUSTRIAL SHED FABRICATION

499 Warwick Road
Yamanto Qld 4305
TEL: 07 3294 1600
FAX: 07 3294 1622
Contact: Tim Dilger
sales@majorshedsandtanks.com.au
ABN: 79 140 683 398

Client
Radic Holdings Pty Ltd
Site
15 Argon Street Carole Park

ORIENTATION
Date: 9 September 2011
Time: 1:51:20 AM
File name: MS2605.mcd
Issue/Revision
Issue 4
Drawn By IC
Total Sheets:
20
CLIMATE ZONE 2
WIND RATING: N3
LOT 222 SP 233600
PARISH WONGAROO

PLAN **020**
Mezzanine Steel **WD1**
Drawing No. **MS-11.2605-1**
PAPER SIZE A3